



State of Rhode Island and Providence Plantations  
**Coastal Resources Management Council**  
 Oliver H. Stedman Government Center  
 4808 Tower Hill Road, Suite 3  
 Wakefield, RI 02879-1900

(401) 783-3370  
 Fax (401) 783-2069

**PUBLIC NOTICE**

File Number: 1992-03-006 Date: January 29, 2018

This office has under consideration the application of:

Allan Beitchman  
 15 Sunset View Drive  
 Tiverton, RI 02878

for a State of Rhode Island Assent to construct and maintain: Modification to existing boating facility consisting of- change to terminus of facility from ramp & float to fixed pier with boat lift. The terminus of the facility shall not change, and will continue to terminate at 46' beyond MLW. In accordance with Section 1.3.1(P) the boat lift in Type 2 waters requires decision by the Coastal Council as a Category "B" activity.

Project Location:	15 Sunset View Drive
City/Town:	Tiverton
Plat/Lot:	403 / 137
Waterway:	Sakonnet River

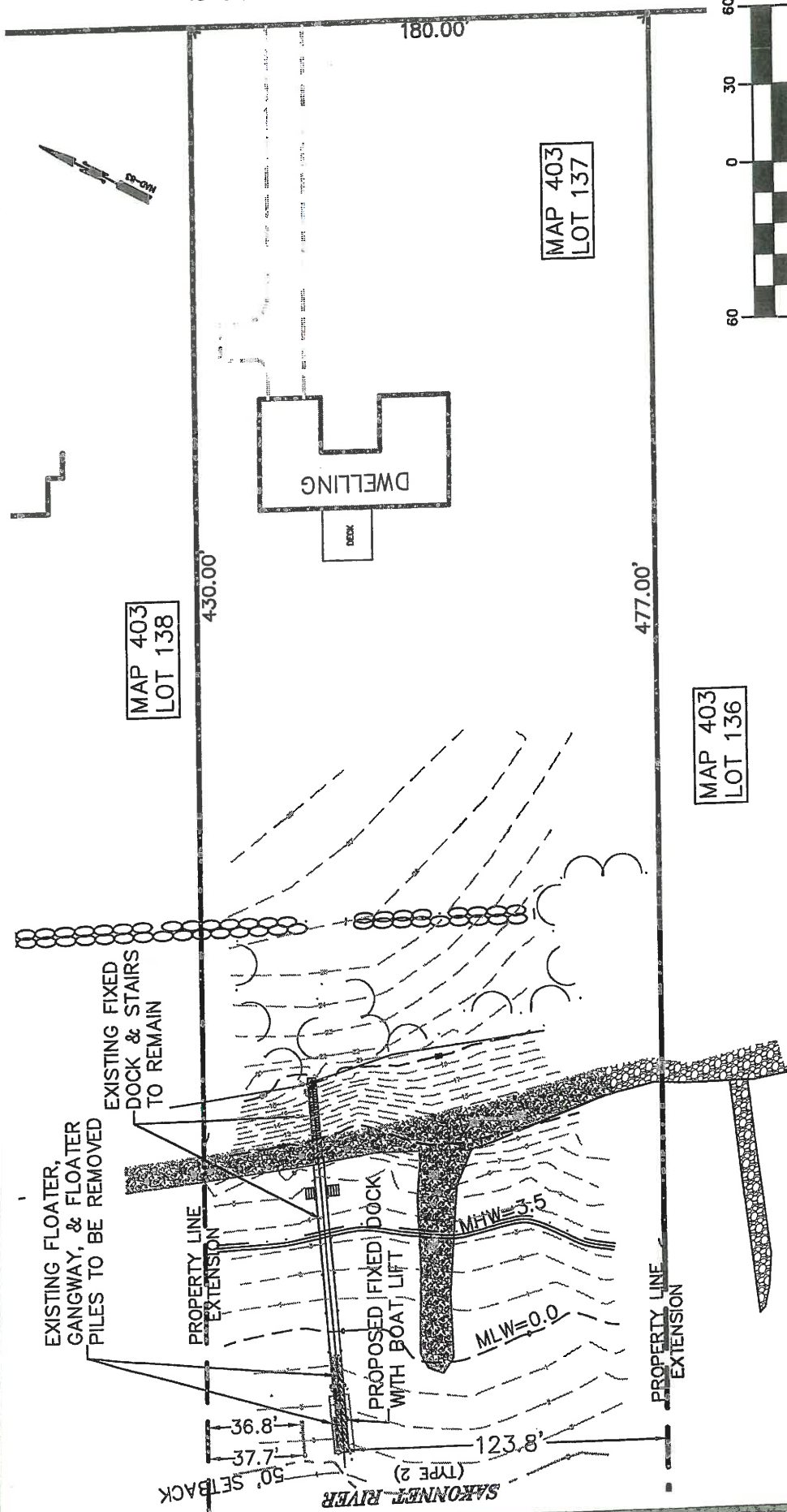
Plans of the proposed work may be seen at the CRMC office in Wakefield.

In accordance with the Administrative Procedures Act (Chapter 42-35 of the Rhode Island General Laws) you may request a hearing on this matter.

You are advised that if you have good reason to enter protests against the proposed work it is your privilege to do so. It is expected that objectors will review the application and plans thoroughly, visit site of proposed work if necessary, to familiarize themselves with the conditions and cite what law or laws, if any, would in their opinion be violated by the work proposed.

If you desire to protest, you must attend the scheduled hearing and give sworn testimony. A notice of the time and place of such hearing will be furnished you as soon as possible after receipt of your request for hearing. If you desire to request a hearing, to receive consideration, it should be in writing (**with your correct mailing address, e-mail address and valid contact number**) and be received at this office on or before March 1, 2018.

# SUNSET VIEW DRIVE



( IN FEET )  
1 inch = 60 ft.

## PLAN VIEW

APPLICATION BY:  
ALLAN BEITCHMAN  
15 SUNSET VIEW DRIVE  
TIVERTON, RI 02878

BY: MOUNT HOPE ENGINEERING, INC.  
1788 G.A.R. HIGHWAY  
SWANSEA, MA. 02777

TODD CHAPLIN  
No. 5335  
REGISTERED PROFESSIONAL ENGINEER

SHEET 4 OF 7

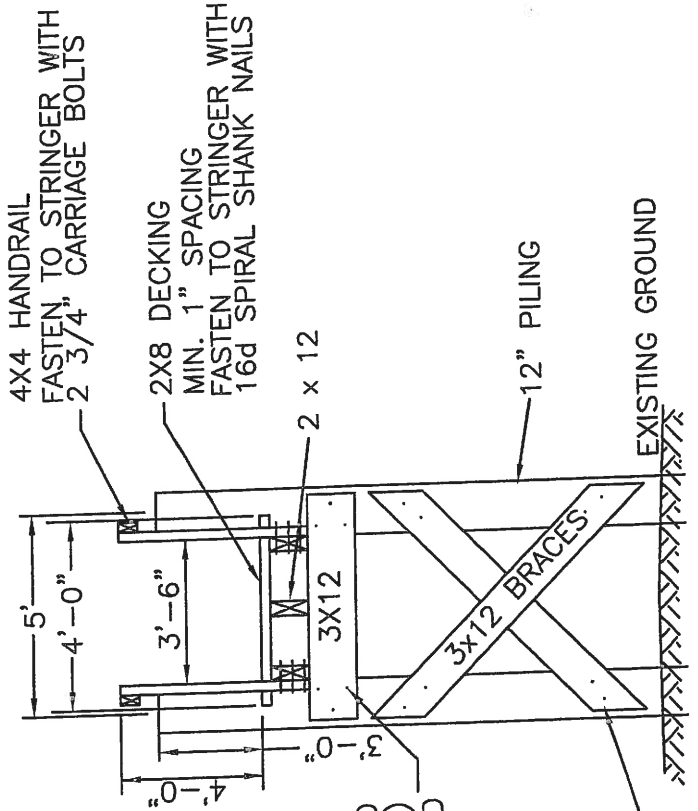
PURPOSE: CONSTRUCTION OF  
TIMBER DOCK & FIXED LANDING  
IN: SAKONNET RIVER, TIVERTON, RI  
15 SUNSET VIEW DRIVE

DATUM: MHW = 3.5  
MLW = 0.0

DATE: 12/29/17  
REVISED:

RECEIVED  
JAN 16 2018  
COASTAL RESOURCES  
MANAGEMENT COUNCIL





4X4 HANDRAIL  
FASTENED TO STRINGER WITH  
2 3/4" CARRIAGE BOLTS

2X8 DECKING  
MIN. 1" SPACING  
FASTENED TO STRINGER WITH  
16d SPIRAL SHANK NAILS

2 x 12

12" PILING

EXISTING GROUND

3X12

3X12 BRACES

1" DIA. HOT DIPPED  
GALV BOLTS (TYP)  
3 BOLTS ON EACH END

1" DIA. HOT DIPPED  
GALV BOLTS (TYP)  
2 BOLTS ON EACH  
END OF BRACE

**TYPICAL BENT SECTION**  
NTS

SHEET 6 OF 7

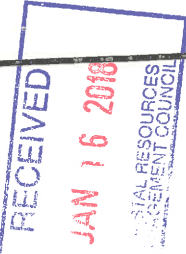
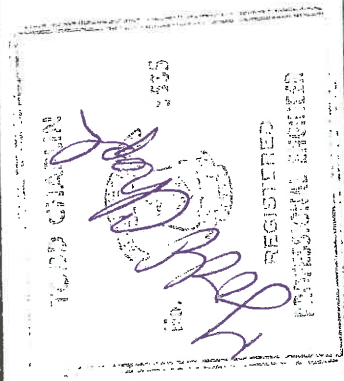
PURPOSE: CONSTRUCTION OF  
TIMBER DOCK & FIXED LANDING  
IN: SAKONNET RIVER, TIVERTON, RI  
15 SUNSET VIEW DRIVE

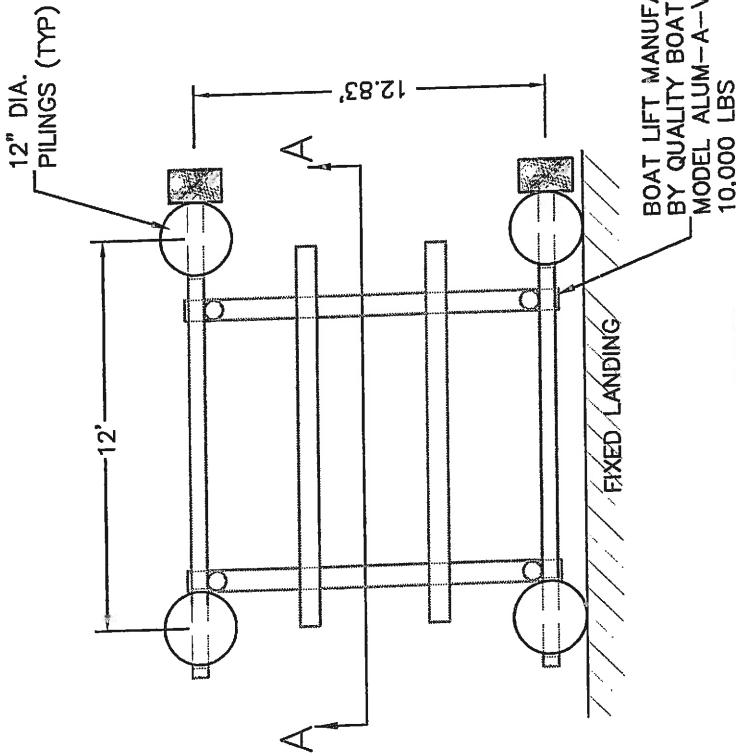
DATUM: MHW = 3.5  
MLW = 0.0

DATE: 12/29/17  
REVISED:

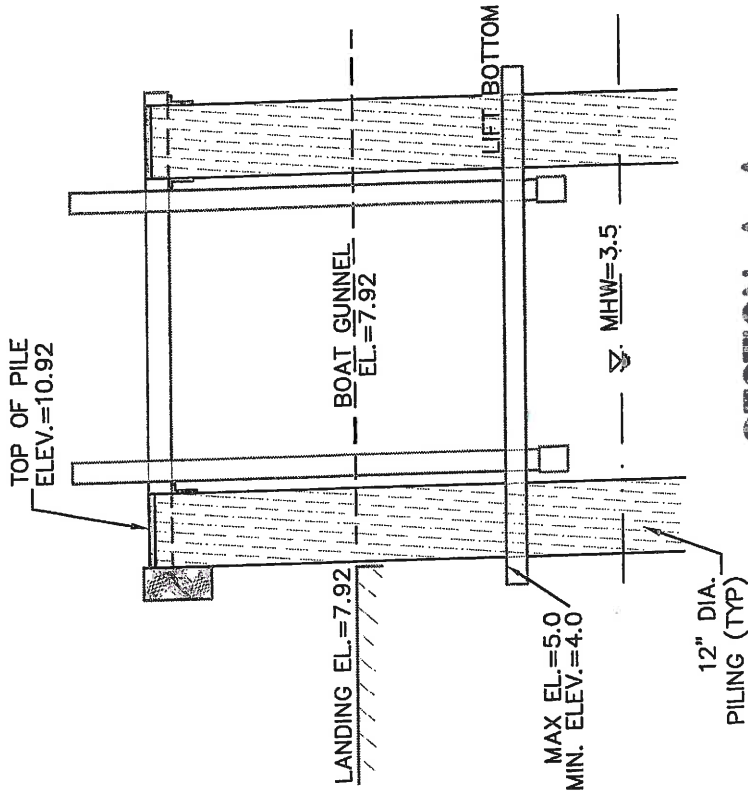
**DOCK DETAILS**

APPLICATION BY:  
ALLAN BEITCHMAN  
15 SUNSET VIEW DRIVE  
TIVERTON, RI 02878  
BY: MOUNT HOPE ENGINEERING, INC.  
1788 G.A.R. HIGHWAY  
SWANSEA, MA. 02777





**TOP VIEW**  
NOT TO SCALE



**SECTION A-A**  
NOT TO SCALE

SHEET 7 OF 7

PURPOSE: CONSTRUCTION OF  
TIMBER DOCK & FIXED LANDING  
IN: SAKONNET RIVER, TIVERTON, RI  
15 SUNSET VIEW DRIVE

DATUM: MHW = 3.5  
MLW = 0.0

DATE: 12/29/17  
REVISED:

# BOAT LIFT DETAILS

APPLICATION BY:  
ALLAN BEITCHMAN  
15 SUNSET VIEW DRIVE  
TIVERTON, RI 02878  
BY: MOUNT HOPE ENGINEERING, INC.  
1788 G.A.R. HIGHWAY  
SWANSEA, MA. 02777

RECEIVED

JAN 16 2018

COASTAL RESOURCES  
MANAGEMENT COUNCIL

TODD CHAPIN

No. 5535

REGISTERED  
PROFESSIONAL ENGINEER