



State of Rhode Island and Providence Plantations
Coastal Resources Management Council
Oliver H. Stedman Government Center
4808 Tower Hill Road, Suite 3
Wakefield, RI 02879-1900

(401) 783-3370
Fax (401) 783-2069

PUBLIC NOTICE

File Number: 2019-07-044

Date: August 8, 2019

This office has under consideration the application of:

Linda A Johnson Trust
17 Riverview Drive
Barrington, RI 02806

for a State of Rhode Island Assent to construct and maintain: A residential boating facility consisting of a 4' x 40' fixed timber pier, 4' x 20' gangway and 7' x 21' (147sf) terminal float, extending 54' seaward of the cited MLW mark. The facility requires a 4' length variance to 650-RICR-20-00-01 1.3.1(D).

Project Location:	17 Riverview Drive
City/Town:	Barrington
Plat/Lot:	33 / 246
Waterway:	Hundred Acre Cove

Plans of the proposed work may be seen at the CRMC office in Wakefield.

In accordance with the Administrative Procedures Act (Chapter 42-35 of the Rhode Island General Laws) you may request a hearing on this matter.

You are advised that if you have good reason to enter protests against the proposed work it is your privilege to do so. It is expected that objectors will review the application and plans thoroughly, visit site of proposed work if necessary, to familiarize themselves with the conditions and cite what law or laws, if any, would in their opinion be violated by the work proposed.

If you desire to protest, you must attend the scheduled hearing and give sworn testimony. A notice of the time and place of such hearing will be furnished you as soon as possible after receipt of your request for hearing. If you desire to request a hearing, to receive consideration, it should be in writing (**with your correct mailing address, e-mail address and valid contact number**) and be received at this office on or before September 8, 2019.



LOCUS MAP

NOT TO SCALE

PURPOSE: CONSTRUCTION OF
TIMBER DOCK, FLOAT, GANGWAY & PILES
IN: 100 ACRE COVE, BARRINGTON, RI
17 RIVERVIEW DRIVE, BARRINGTON

DATUM: MHW = 3.5
MLW = 0.0

RECEIVED
JUL 7 2019

COASTAL RESOURCES
MANAGEMENT COUNCIL

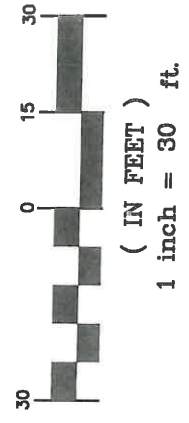
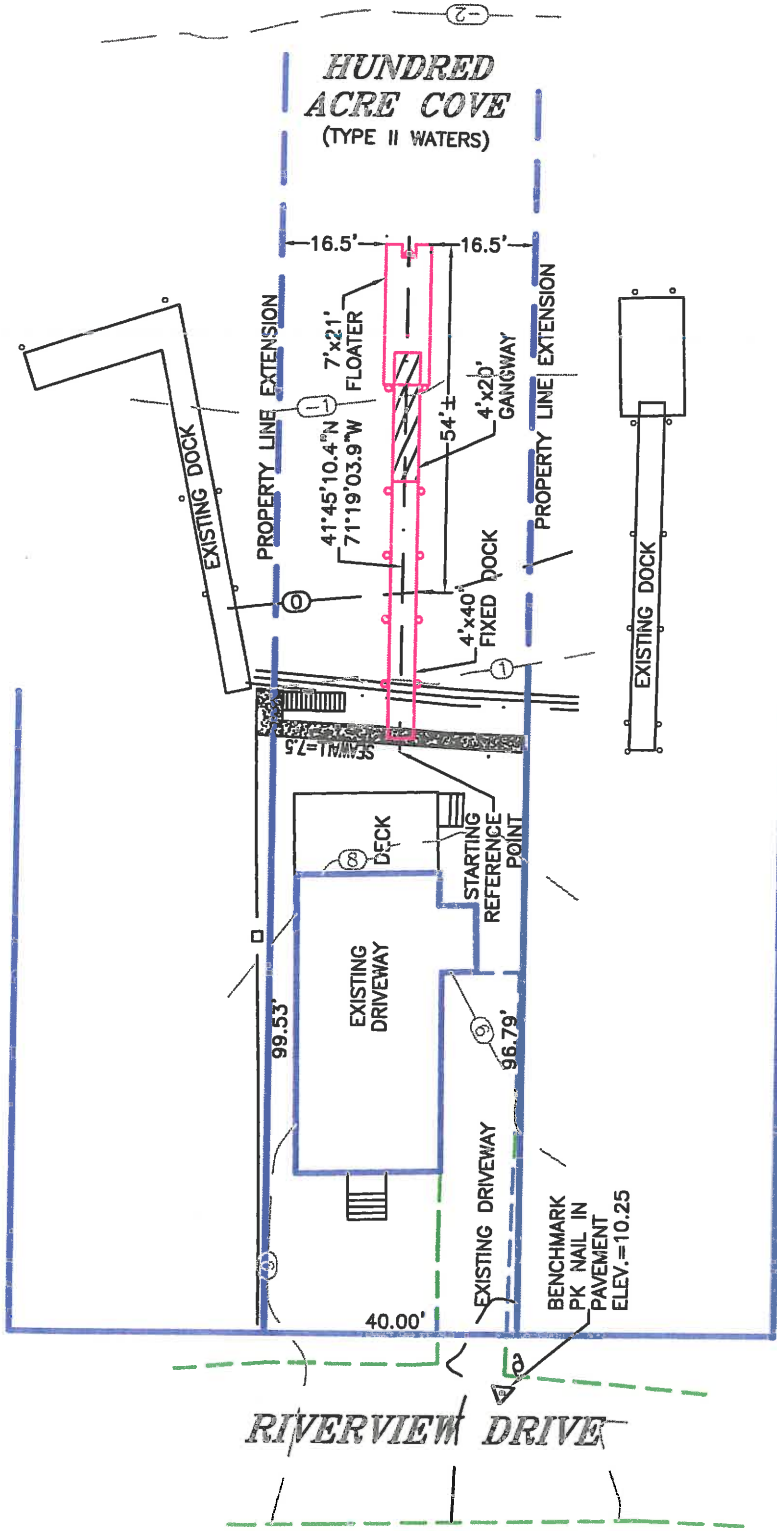
DATE: 06/27/19
REVISED:

LOCUS MAP

APPLICATION FOR:
LINDA JOHNSON
17 RIVERVIEW DRIVE
BARRINGTON, RI 02806
BY: MOUNT HOPE ENGINEERING, INC.
1788 G.A.R. HIGHWAY
SWANSEA, MA. 02777

TODD CHARLIN
No. 5335

REGISTERED
PROFESSIONAL ENGINEER



NOTES:
 1. PROPERTY LINE INFORMATION TAKEN FROM AN ACTUAL PROPERTY LINE SURVEY.

SHEET 4 OF 7

PURPOSE: CONSTRUCTION OF
 TIMBER DOCK, FLOAT, GANGWAY & PILES
 IN: 100 ACRE COVE, BARRINGTON, RI
 17 RIVERVIEW DRIVE, BARRINGTON

DATUM: MHW = 3.5
 MLW = 0.0

DATE: 06/27/19
 REVISED:

PLAN VIEW

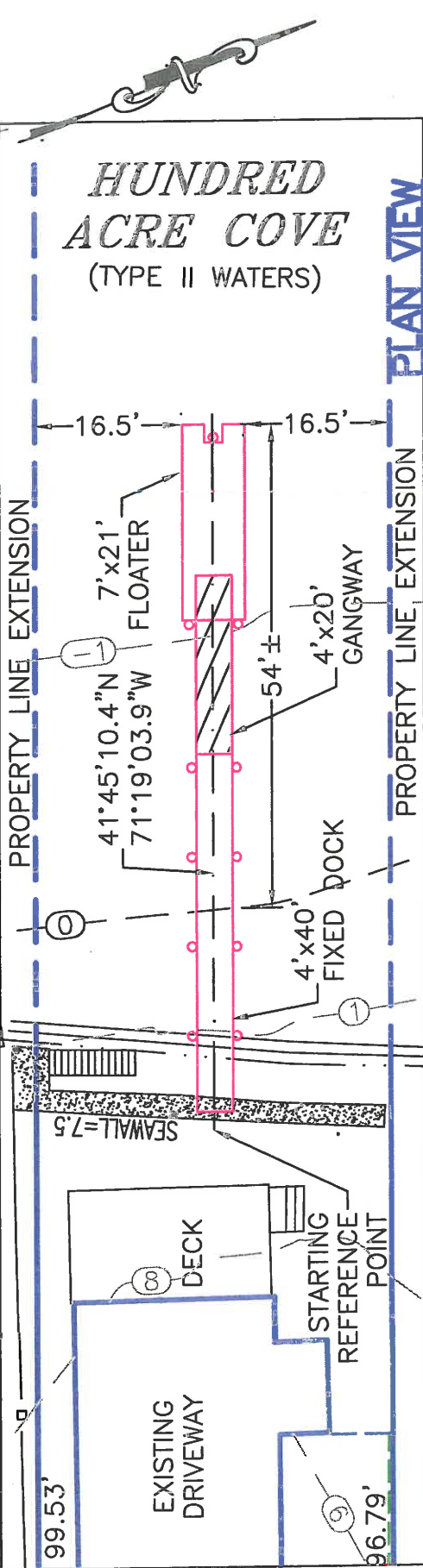
APPLICATION FOR:
 LINDA JOHNSON
 17 RIVERVIEW DRIVE
 BARRINGTON, RI 02806

BY: MOUNT HOPE ENGINEERING, INC.
 1788 G.A.R. HIGHWAY
 SWANSEA, MA. 02777

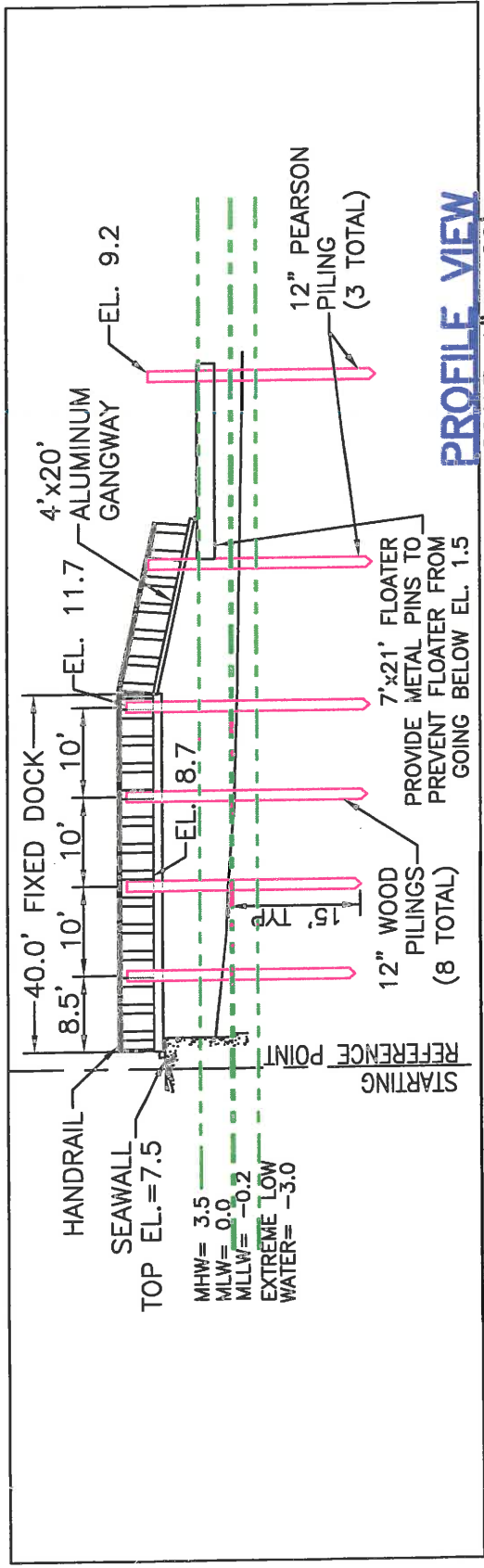
TODD CHAPLIN
 No. 5533

 REGISTERED
 PROFESSIONAL ENGINEER

COASTAL RESOURCES
 MANAGEMENT COUNCIL



SCALE: 1" = 20'



SCALE: 1" = 20'

SHEET 5 OF 7

PURPOSE: CONSTRUCTION OF
 TIMBER DOCK, FLOAT, GANGWAY & PILES
 IN: 100 ACRE COVE, BARRINGTON, RI
 177 RIVERVIEW DRIVE, BARRINGTON

DATUM: MHW = 3.5
 MLW = 0.0

DATE: 06/27/19
 REVISED:

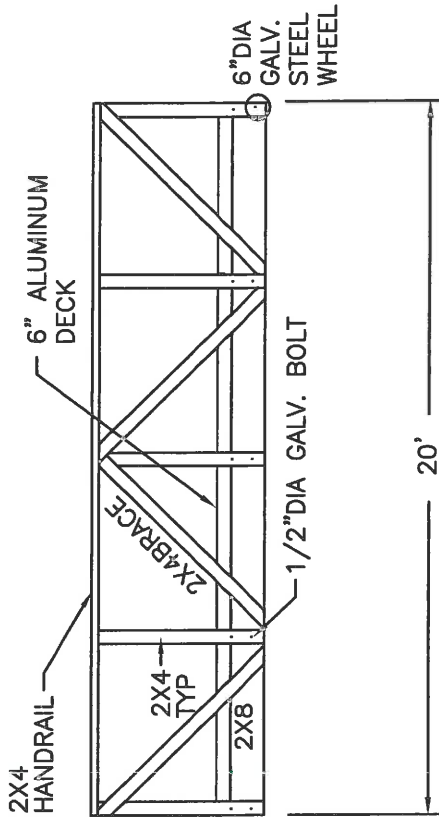
DOCK PROFILE

APPLICATION FOR:
 LINDA JOHNSON
 17 RIVERVIEW DRIVE
 BARRINGTON, RI 02806

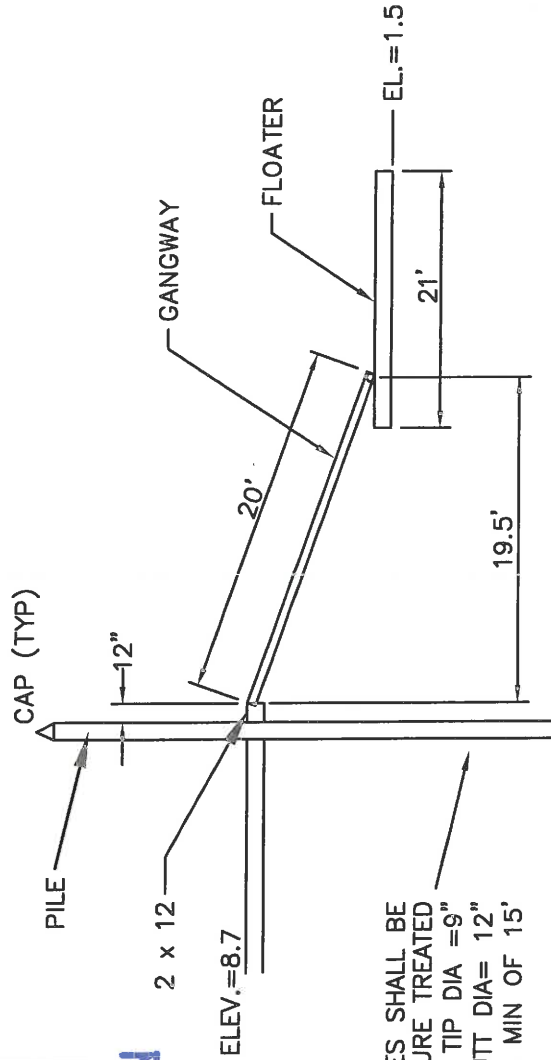
BY: MOUNT HOPE ENGINEERING, INC.
 1788 G.A.R. HIGHWAY
 SWANSEA, MA. 02777

TODD GRAPIN
 3335
 REGISTERED
 PROFESSIONAL ENGINEER

RECEIVED
 JUL 17 2019
 COASTAL RESOURCES
 MANAGEMENT COUNCIL



LONGITUDINAL GANGWAY SECTION



GANGWAY PROFILE

NTS

ALL PILES SHALL BE
 CLASS A PRESSURE TREATED
 MIN TIP DIA = 9"
 MIN BUTT DIA = 12"
 PILE EMBEDMENT SHALL BE A MIN OF 15'

SHEET 6 OF 7

PURPOSE: CONSTRUCTION OF
 TIMBER DOCK, FLOAT, GANGWAY & PILES
 IN: 190 ACRE COVE, BARRINGTON, RI
 17 RIVERVIEW DRIVE, BARRINGTON

DATUM: MHW = 3.5
 MLW 0.0

DATE: 06/27/19

REVISED:

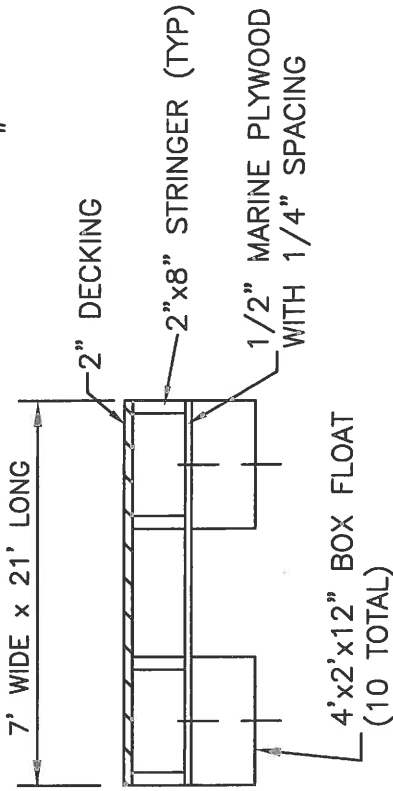
GANGWAY DETAILS

APPLICATION FOR:
 LINDA JOHNSON
 17 RIVERVIEW DRIVE
 BARRINGTON, RI 02806
 BY: MOUNT HOPE ENGINEERING, INC.
 1788 G.A.R. HIGHWAY
 SWANSEA, MA. 02777

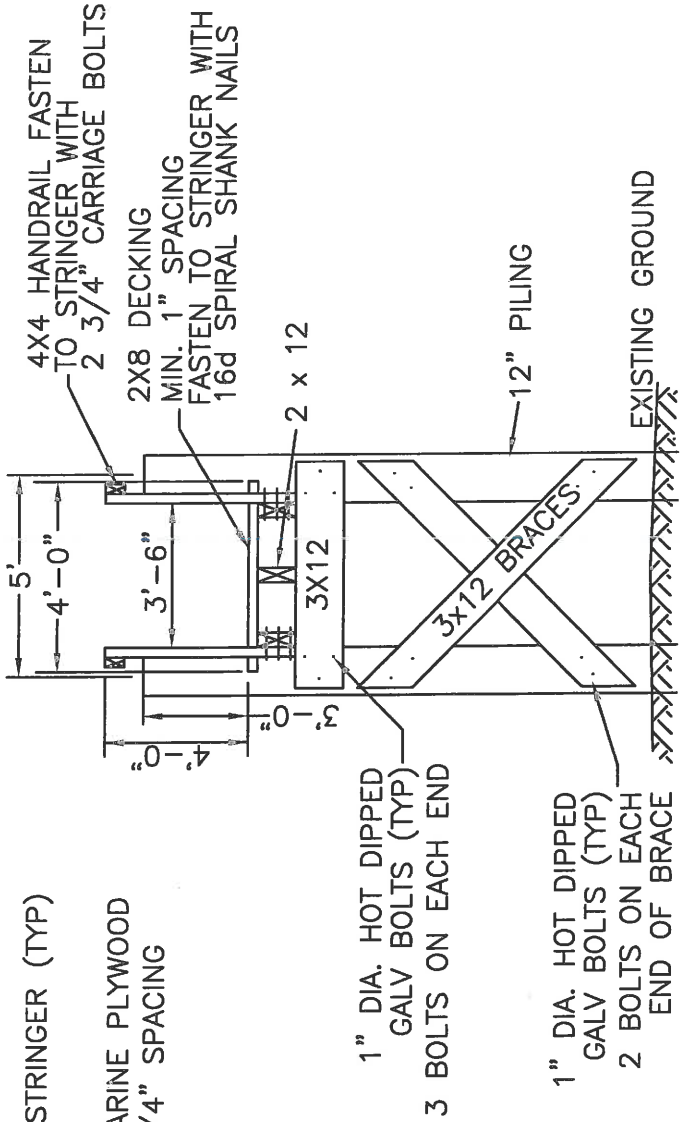
TODD CHAPMAN

 REGISTERED PROFESSIONAL ENGINEER

DESIGN LIVE LOAD = 40 PSF
OR 400# CONCENTRATED



TIMBER FLOAT SECTION
NTS



TYPICAL BENT SECTION
NTS

SHEET 7 OF 7

PURPOSE: CONSTRUCTION OF
TIMBER DOCK, FLOAT, GANGWAY & PILES
IN: 100 ACRE COVE, BARRINGTON, RI
17 RIVERVIEW DRIVE, BARRINGTON

DATUM: MHW = 3.5
MLW = 0.0

DATE: 06/27/19

REVISED:

DOCK DETAILS

APPLICATION FOR:

LINDA JOHNSON
17 RIVERVIEW DRIVE
BARRINGTON, RI 02806

BY: MOUNT HOPE ENGINEERING, INC.
1788 G.A.R. HIGHWAY
SWANSEA, MA. 02777

TODD CHAPLIN



REGISTERED
PROFESSIONAL ENGINEER