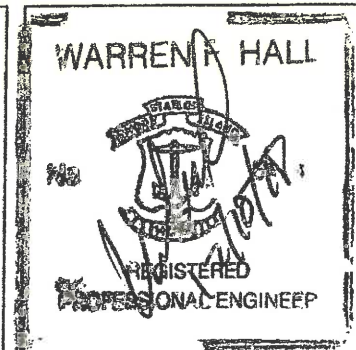
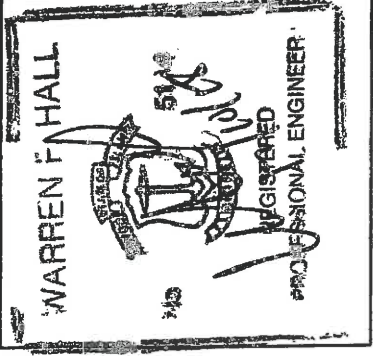


LOCUS PLAN

1"=5280'

PROPOSED RESIDENTIAL PIER FOR:
 JONATHAN JANIKIES
 166 WATERWAY
 NARRAGANSETT AP NB, LOT 1
 NORTH KINGSTOWN, AP 1, LOT 148
 BY: WARREN HALL, CIVIL ENGINEER
 DEC 3, 2018 SHEET 1 OF 10





APPLICANT:
AP 1, LOT 148 N KINGSTOWN

APPLICANT:
AP NB, LOT 1 NARRAGANSETT

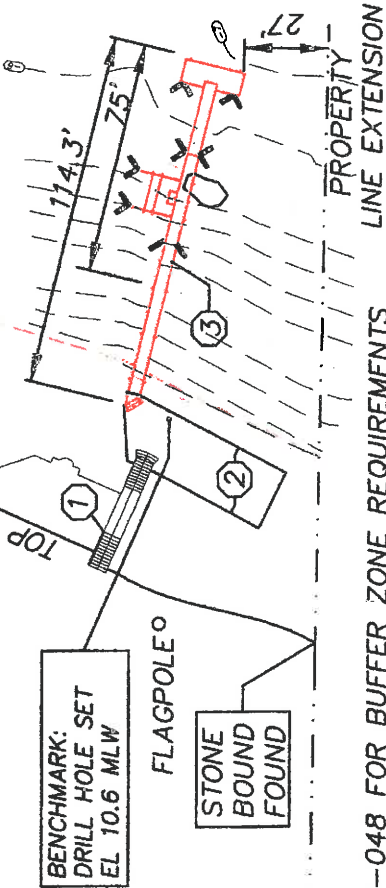
WATERWAY (PAVED)

TOWN LINE
SIGN

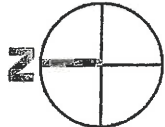
WATERWAY (GRAVEL)
40'

STONEMALL

TOP BANK
MEAN HIGH WATER 3.5
MEAN LOW WATER 0.0



NARRAGANSETT BAY
WEST PASSAGE
CRMC TYPE 2 WATER
EBB
FLOOD



Scale 1" = 60'

SEE CRMC FILE 2009-06-048 FOR BUFFER ZONE REQUIREMENTS

- ① EXISTING STEPS
- ② EXISTING CONCRETE DECK
- ③ PROPOSED DOCK

PROPOSED RESIDENTIAL PIER FOR:
JONATHAN JANIKIES
166 WATERWAY
NARRAGANSETT AP NB, LOT 1
NORTH KINGSTOWN, AP 1, LOT 148
BY: WARREN HALL, CIVIL ENGINEER
DEC 3, 2018 SHEET 2 OF 10



RI STATE PLANE
COORDINATES

①	N: 152928.9 E: 349868.9
②	N: 152912.5 E: 349977.5
③	N: 152893.1 E: 349972.7

NARRAGANSETT BAY
WEST PASSAGE
CRMC TYPE 2 WATER

114.3'

75'

MHW 3.5'

DECK EL = 15.0

CONCRETE
DECK
EL=10.6

MLW

PROPERTY LINE EXTENSION

195' ± MHW TO WATERWAY

FLOOD
EBB

27'

PROPOSED RESIDENTIAL PIER FOR:
JONATHAN JANIKIES
166 WATERWAY
NARRAGANSETT AP NB, LOT 1
NORTH KINGSTOWN, AP 1, LOT 148
BY: WARREN HALL, CIVIL ENGINEER
REMOVED, 2018 SHEET 3 OF 10

④ 10,000# BOAT LIFT

⑤ 8'x18.75' FLOAT WITH
4 MOTOR LIFT

⑥ 3.75'x31' RAMP

⑦ BATTER PILES

WARREN HALL



REMOVED, 2018

COASTAL EROSION CONTROL

UNDERGROUND
ELECTRIC &
WATER

CONCRETE
DECK
EL=10.6

CONCRETE
DECK
EL=10.6

EXISTING GRADE
ELEV REF MLW

MHW 3.5

DECK EL = 15.0

MLW

DECK EL = 15.0

EXISTING GRADE

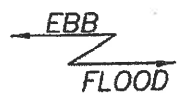
PLAN VIEW
1" = 20'



ADJUST BENT TO
CLEAR ROCK



NARRAGANSETT BAY
CRMC TYPE 2 WATER
WEST PASSAGE



TOP OF FLOAT PILE = 20.0
FLOOD ZONE VE EL 16 (NAVD88)
16+1.9+2=20± MLW

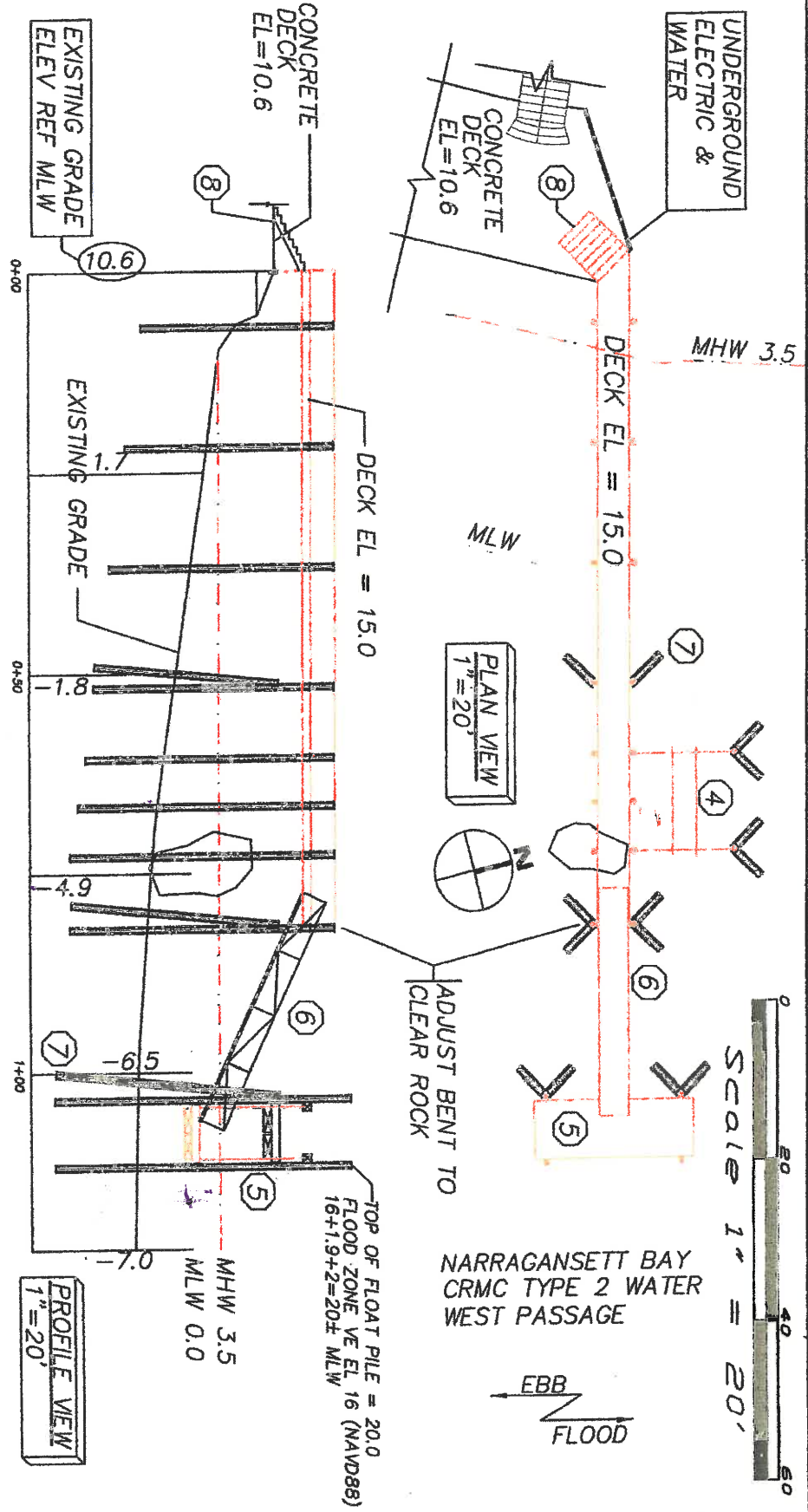
MHW 3.5
MLW 0.0

PROFILE VIEW
1" = 20'

0+00

0+50

1+00



PROPOSED RESIDENTIAL PIER FOR:
JONATHAN JANIKIES
166 WATERWAY
NARRAGANSETT AP NB, LOT 1
NORTH KINGSTOWN, AP 1, LOT 148
BY: WARREN HALL, CIVIL ENGINEER
DEC. 3, 2018 SHEET 4 OF 10

- ④ 10,000# BOAT LIFT
- ⑤ 8'x18.75' FLOAT WITH 4 MOTOR LIFT
- ⑥ 3.75'x31' RAMP
- ⑦ BATTER PILES
- ⑧ 3Ø3x12 STRINGER FASTEN TO DECK WITH SIMPSON ANCHORS

WARREN HALL
REGISTERED PROFESSIONAL ENGINEER
DEC 3 2018