

SAFE HARBOR MARINAS ALLEN HARBOR

DRAWING LIST	
DRAWING No.	DRAWING TITLE
1	TITLE SHEET & GENERAL NOTES
2	VICINITY MAP
3	AERIAL IMAGE
4	EXISTING SITE PLAN
5	EXISTING PARTIAL PLAN
6	PROPOSED SITE PLAN
7	PROPOSED PARTIAL PLAN
8	SECTION A-A
9	SECTION B-B
10	SECTION C-C
11	SEDIMENTATION & EROSION CONTROLS

GENERAL NOTES

1. THE PURPOSE OF THESE DRAWINGS ARE FOR REGULATORY REVIEW ONLY.
2. VICINITY MAP TAKEN FROM USGS.
3. ELEVATIONS REFERENCE NAVD 88, UNLESS NOTED OTHERWISE.
4. THIS SITE INFORMATION HAS BEEN TAKEN FROM A DRAWING TITLED "2021 ALTA/NSPS LAND TITLE SURVEY", PREPARED FOR SAFE HARBOR MARINAS, LLC, BY CONTROL POINTS ASSOCIATES, INC., DATED 05/20/2021, AND REVISED ON 07/01/2021.
5. SUPPLEMENTARY INFORMATION OBTAINED BY RACE COASTAL ENGINEERING, LLC ON 10/22/2021 AND ONLY REPRESENT THE SITE CONDITIONS AT THAT TIME.
6. THE TIDAL DATA SHOWN WAS TAKEN FROM THE U.S. DEPARTMENT OF COMMERCE, NATIONAL OCEANIC AND ATMOSPHERIC ADMINISTRATION (NOAA) ONLINE VERTICAL DATUM TRANSFORMATION PROGRAM, DETERMINED AT THE FOLLOWING LOCATION:
 LOCATION: QUONSET, RHODE ISLAND
 LATITUDE: 41.614 N
 LONGITUDE: 71.405 W
7. REFERENCE TO QVD WAS OBTAINED FROM A PLAN TITLED "SURVEY CONTROL PLAN FOR RHODE ISLAND ECONOMIC DEVELOPMENT CORPORATION" PREPARED BY FOSTER SURVEY COMPANY OF WARWICK, RI AND LAST REVISED JULY 23, 2008.

PROJECT TIDAL ELEVATIONS:			
DATUM	NAVD 88 (FT)	MLW (FT)	QVD (FT)
MEAN HIGHER HIGH WATER (MHHW)	+1.88'	+4.06'	+4.93'
MEAN HIGH WATER (MHW)	+1.63'	+3.81'	+4.68'
NAVD 88	0.00	+2.18'	+3.05'
MEAN LOW WATER (MLW)	-2.18'	0.00	+0.87'
MEAN LOWER LOW WATER (MLLW)	-2.33'	-0.15'	+0.72'
QVD	-3.05	-0.87'	0.0



611 Access Road Stratford, CT 06615
Tel: 203-377-0663 racecoastal.com

Prepared For:
**SAFE HARBOR MARINAS
 ALLEN HARBOR
 84 WESTCOTT ROAD
 NORTH KINGSTON, RI 02852**

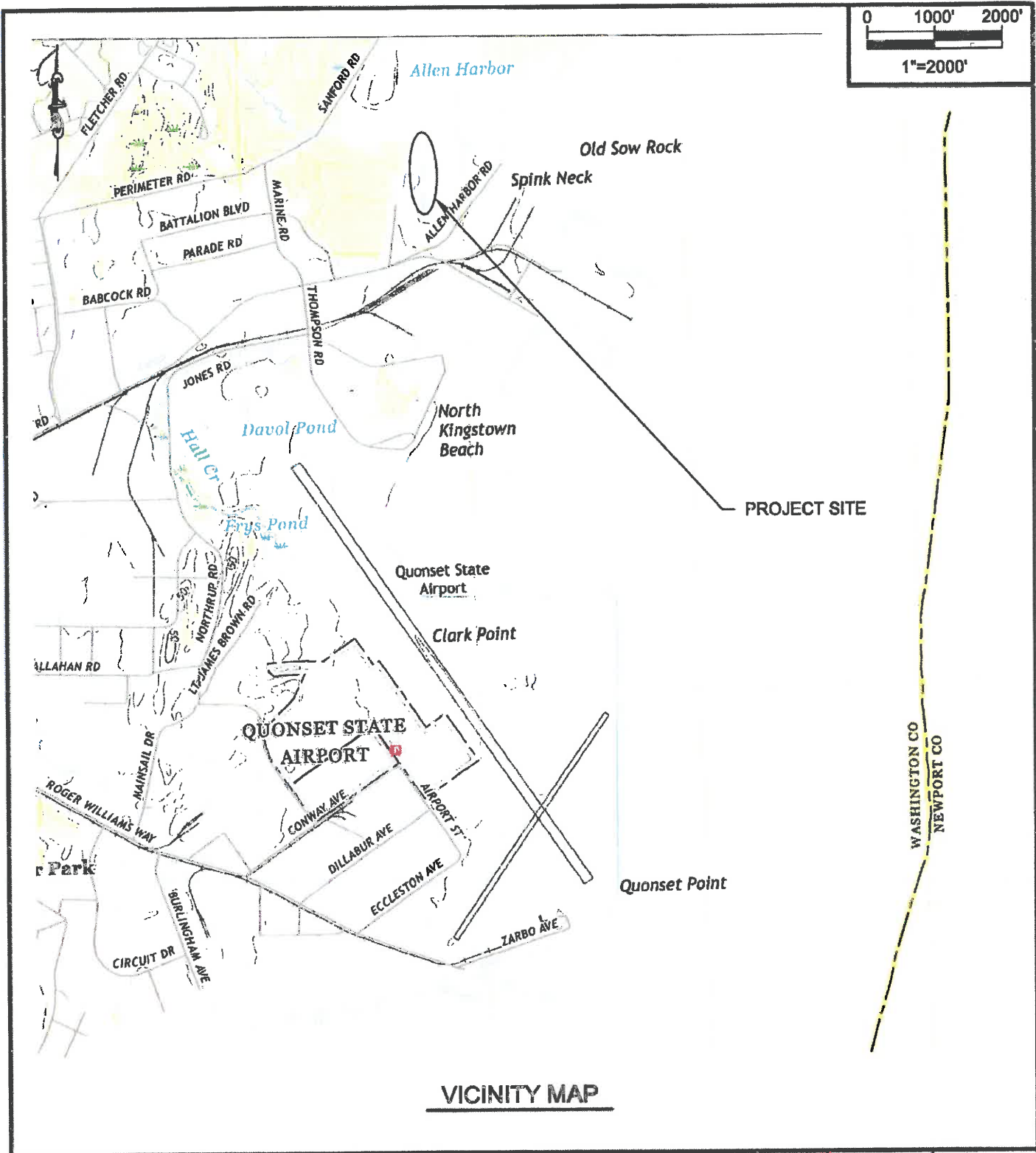
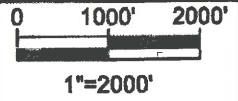
Project:
**MARINA IMPROVEMENTS
 84 WESCOTT ROAD (PLAT 194, LOT 19)
 NORTH KINGSTON, RI 02852**

SEAL: **DEVIN JON SANTA**

No. **11854**

**REGISTERED
 PROFESSIONAL ENGINEER
 NOT VALID WITHOUT ENGINEER'S SEAL**

Date:	02-07-2022	Rev. #3:	05-19-2022
Drawn By:	MJW/ZMV	Checked By:	MRR
Datum:	NAVD88	Scale:	N/A
Project No.:	2021118	Drawing No.:	1 of 11



VICINITY MAP

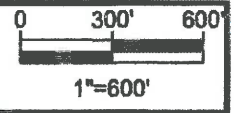
RACE
COASTAL ENGINEERING
 611 Access Road Stratford, CT 06615
 Tel: 203-377-0663 racecoastal.com

Prepared For:
**SAFE HARBOR MARINAS
 ALLEN HARBOR
 84 WESTCOTT ROAD
 NORTH KINGSTON, RI 02852**

Project:
**MARINA IMPROVEMENTS
 84 WESCOTT ROAD (PLAT 194, LOT 19)
 NORTH KINGSTON, RI 02852**

SEAL
DEVIN JONSANTA
 No. **1854**
**REGISTERED
 PROFESSIONAL ENGINEER**
 NOT VALID WITHOUT ENGINEER'S SEAL

Date:	Rev. #3:
02-07-2022	05-19-2022
Drawn By:	Checked By:
MJW/ZMV	MRR
Datum:	Scale:
NAVD88	1"=2000'
Project No.:	Drawing No.:
2021118	2 of 11



PROJECT SITE

AERIAL MAP



611 Access Road Stratford, CT 06615
Tel: 203-377-0663 racecoastal.com

Prepared For:
**SAFE HARBOR MARINAS
ALLEN HARBOR
84 WESTCOTT ROAD
NORTH KINGSTON, RI 02852**

Project:
**MARINA IMPROVEMENTS
84 WESCOTT ROAD (PLAT 194, LOT 19)
NORTH KINGSTON, RI 02852**

SEAL

DEVIN JON SANTA

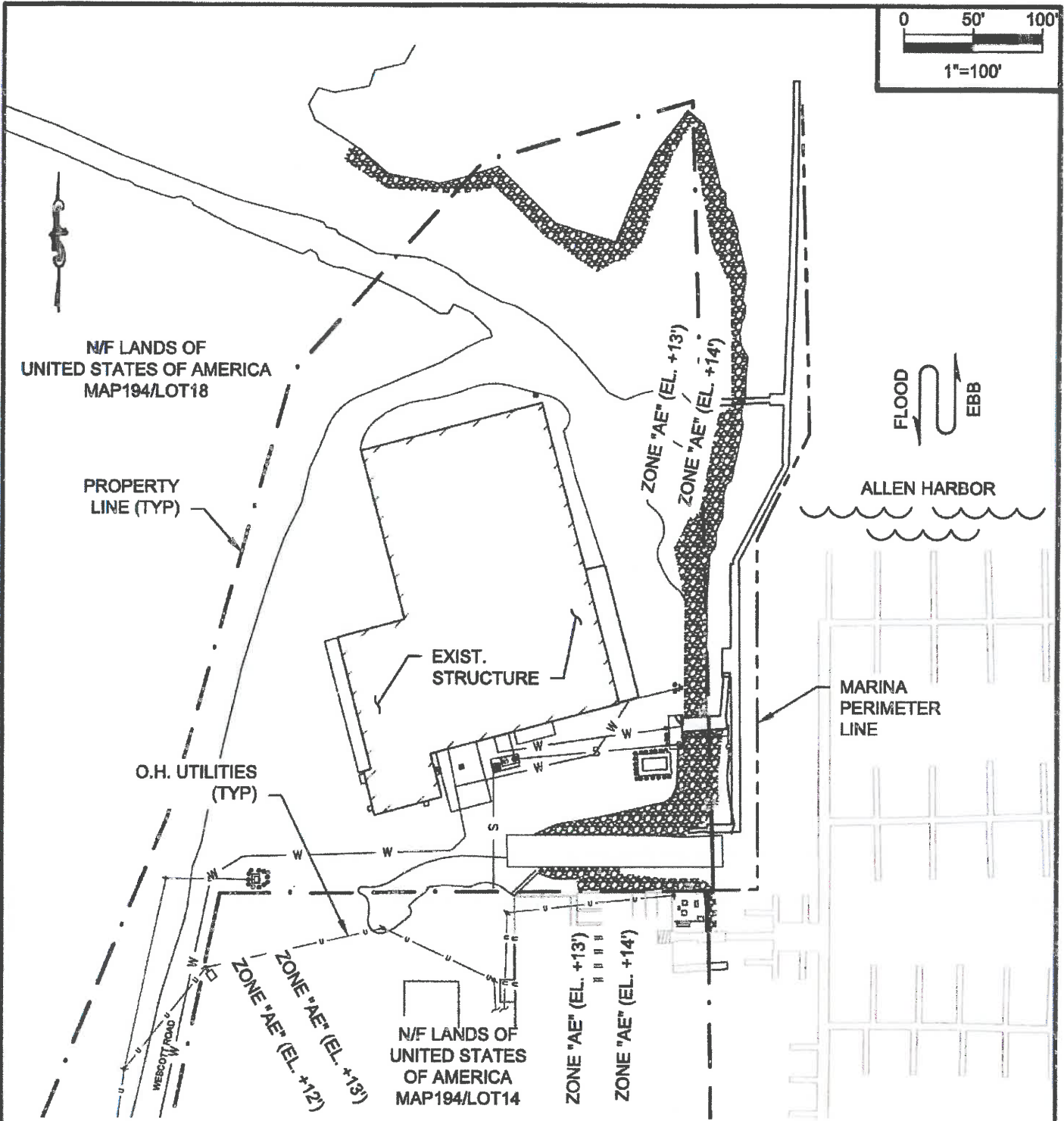
No. **11854**

**REGISTERED
PROFESSIONAL ENGINEER
NOT VALID WITHOUT ENGINEER'S SEAL**

Date:	Rev. #3:
02-07-2022	05-19-2022
Drawn By:	Checked By:
MJW/ZMV	MRR
Datum:	Scale:
NAVD88	1"=600'
Project No.:	Drawing No.:
2021118	3 of 11

ALL RIGHTS RESERVED.
©2020 RACE COASTAL ENGINEERING, LLC.

NOT FOR CONSTRUCTION
FOR REGULATORY REVIEW ONLY



EXISTING SITE PLAN



611 Access Road Stratford, CT 06615
Tel: 203-377-0663 racecoastal.com

ALL RIGHTS RESERVED.
©2020 RACE COASTAL ENGINEERING, LLC.

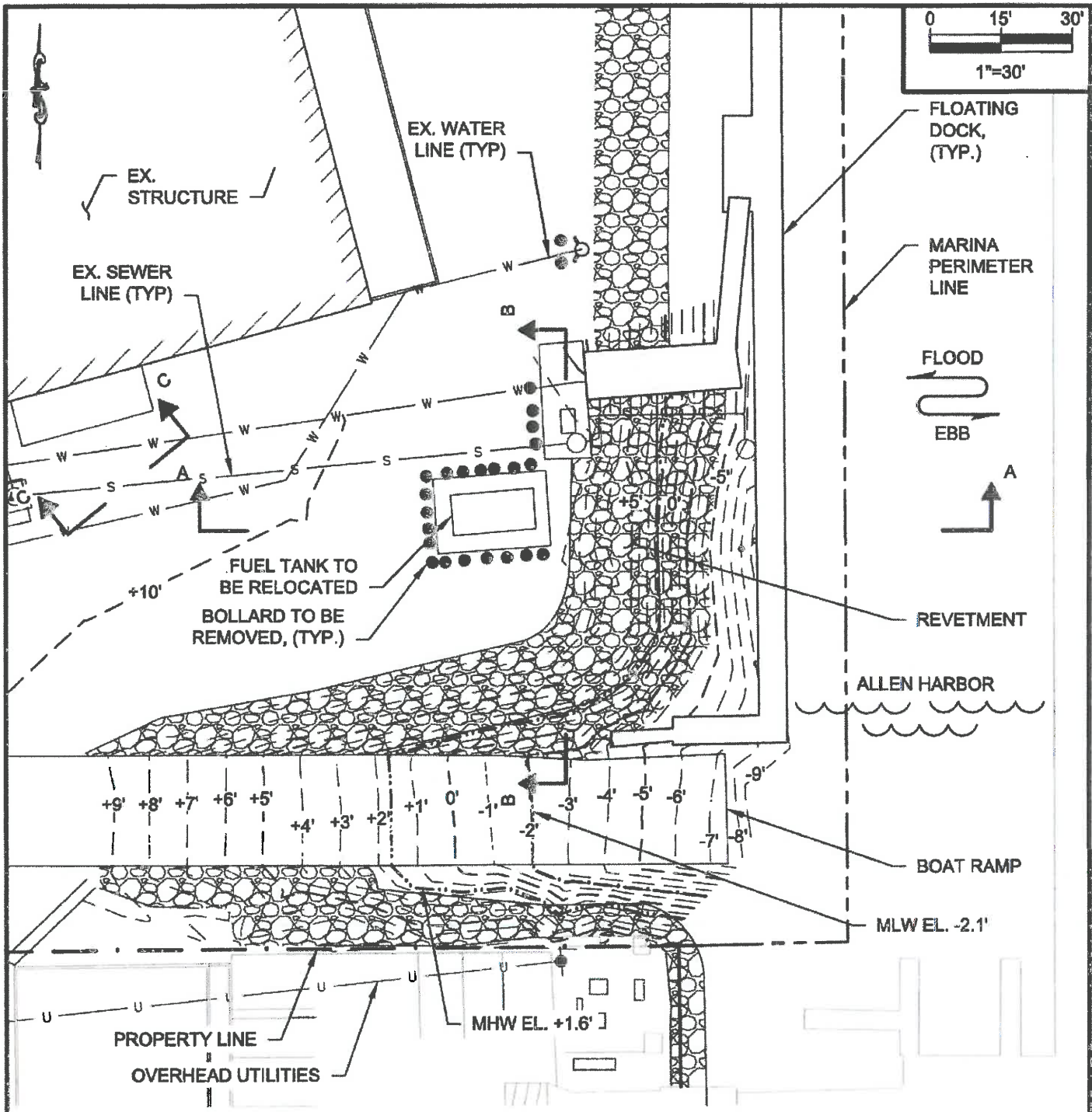
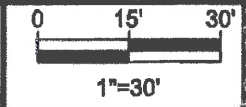
Prepared For:
**SAFE HARBOR MARINAS
ALLEN HARBOR
84 WESCOTT ROAD
NORTH KINGSTON, RI 02852**

Project:
**MARINA IMPROVEMENTS
84 WESCOTT ROAD (PLAT 194, LOT 19)
NORTH KINGSTON, RI 02852**

SEAL: **DEVIN JON SANTA**
No. **11854**
**REGISTERED
PROFESSIONAL ENGINEER
CIVIL**
NOT VALID WITHOUT ENGINEER'S SEAL

Date:	Rev. #3:
02-07-2022	05-19-2022
Drawn By:	Checked By:
MJW/ZMV	MRR
Datum:	Scale:
NAVD88	1"=100'-0"
Project No.:	Drawing No.:
2021118	4 of 11

NOT FOR CONSTRUCTION
FOR REGULATORY REVIEW ONLY



EXISTING PARTIAL PLAN



611 Access Road Stratford, CT 06615
Tel: 203-377-0663 racecoastal.com

Prepared For:
**SAFE HARBOR MARINAS
ALLEN HARBOR
84 WESTCOTT ROAD
NORTH KINGSTON, RI 02852**

Project:
**MARINA IMPROVEMENTS
84 WESCOTT ROAD (PLAT 194, LOT 19)
NORTH KINGSTON, RI 02852**

SEAL: **DEVIN JON SANTA**

No. **11854**

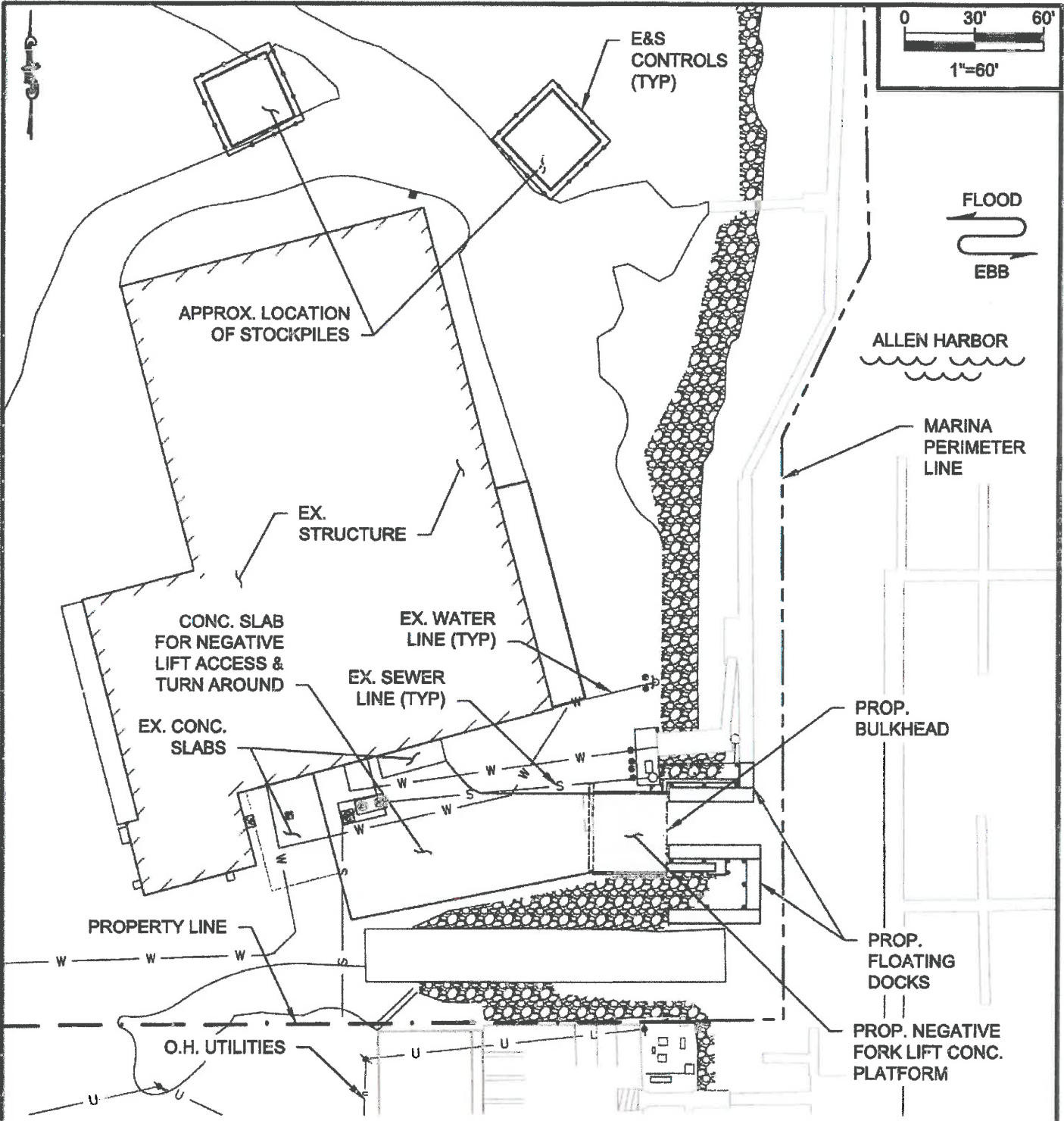
**REGISTERED
PROFESSIONAL ENGINEER
CIVIL**

NOT VALID WITHOUT ENGINEER'S SEAL

Date:	Rev. #3:
02-07-2022	05-19-2022
Drawn By:	Checked By:
MJW/ZMV	MRR
Datum:	Scale:
NAVD88	1"=30'-0"
Project No.:	Drawing No.:
2021118	5 of 11

ALL RIGHTS RESERVED.
©2020 RACE COASTAL ENGINEERING, LLC.

NOT FOR CONSTRUCTION
FOR REGULATORY REVIEW ONLY



PROPOSED PLAN

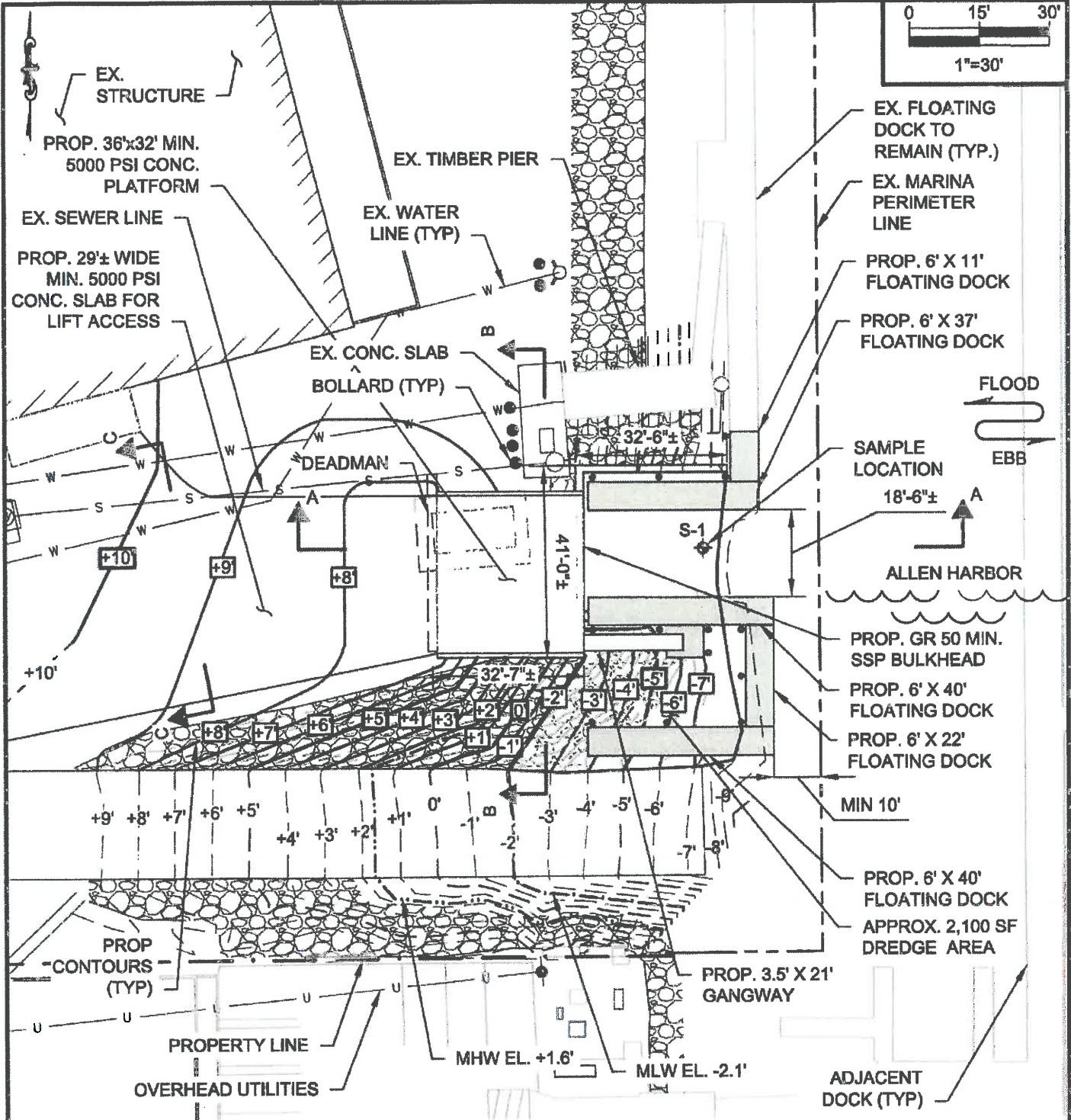
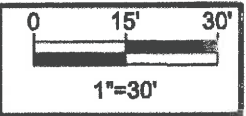
RACE
COASTAL ENGINEERING
611 Access Road Stratford, CT 06615
Tel: 203-377-0663 racecoastal.com

Prepared For:
**SAFE HARBOR MARINAS
ALLEN HARBOR
84 WESTCOTT ROAD
NORTH KINGSTON, RI 02852**

Project:
**MARINA IMPROVEMENTS
84 WESCOTT ROAD (PLAT 194, LOT 19)
NORTH KINGSTON, RI 02852**

SEAL: **DEVIN JON SANTANA**
No. **1854**
**REGISTERED
PROFESSIONAL ENGINEER
CIVIL**
NOT VALID WITHOUT ENGINEER'S SEAL

Date:	Rev. #3:
02-07-2022	05-19-2022
Drawn By:	Checked By:
MJW/ZMV	MRR
Datum:	Scale:
NAVD88	1"=60'-0"
Project No.:	Drawing No.:
2021118	6 of 11



PROPOSED PARTIAL PLAN



611 Access Road Stratford, CT 06615
Tel: 203-377-0663 racecoastal.com

Prepared For:
**SAFE HARBOR MARINAS
ALLEN HARBOR
84 WESTCOTT ROAD
NORTH KINGSTON, RI 02852**

Project:
**MARINA IMPROVEMENTS
84 WESCOTT ROAD (PLAT 194, LOT 19)
NORTH KINGSTON, RI 02852**

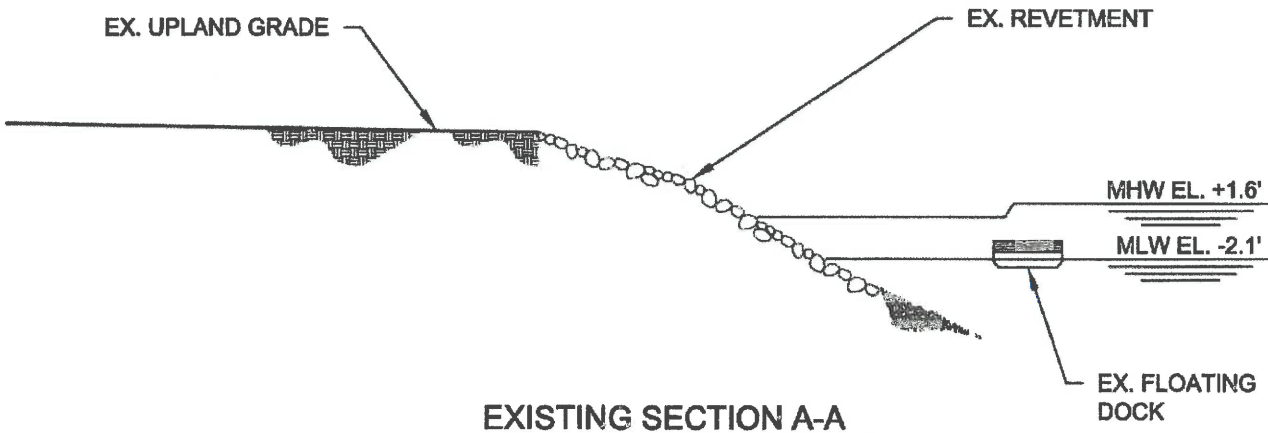
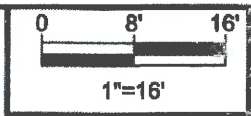
SEAL: **DEVIN JOHN SANTA**

No. **1854**

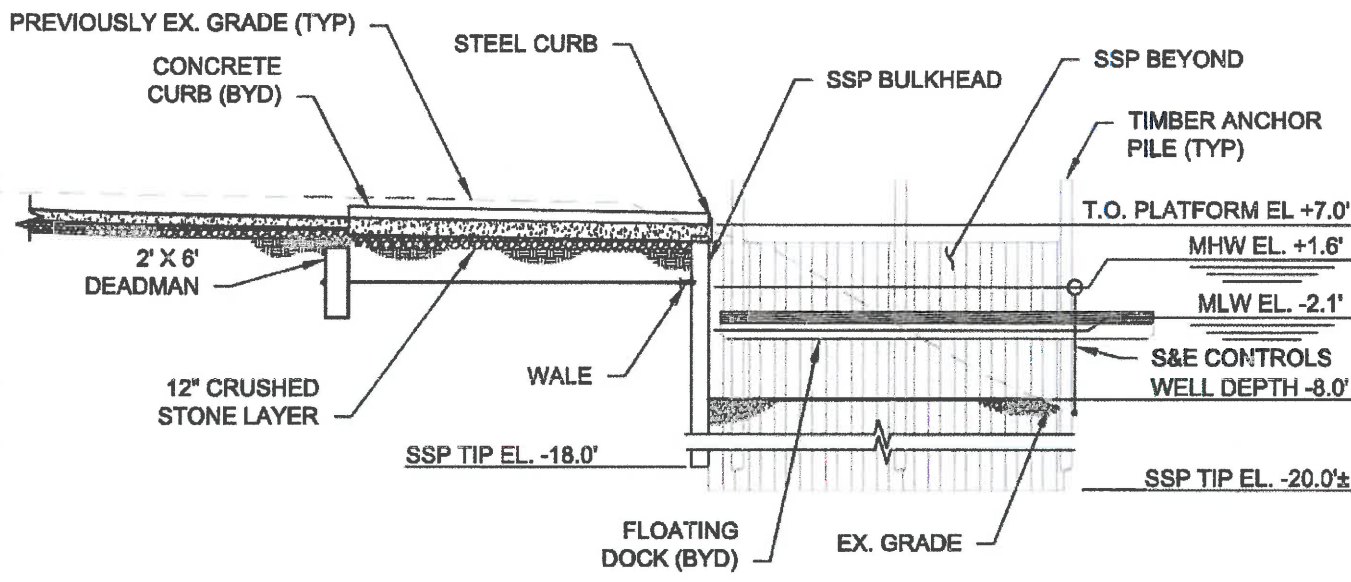
**REGISTERED
PROFESSIONAL ENGINEER
CIVIL**

NOT VALID WITHOUT ENGINEER'S SEAL

Date:	Rev. #3:
02-07-2022	05-19-2022
Drawn By:	Checked By:
MJW/ZMV	MRR
Datum:	Scale:
NAVD88	1"=30'-0"
Project No.:	Drawing No.:
2021118	7 of 11



EXISTING SECTION A-A



PROPOSED SECTION A-A



611 Access Road Stratford, CT 06615
Tel: 203-377-0663 racecoastal.com

Prepared For:
**SAFE HARBOR MARINAS
ALLEN HARBOR
84 WESTCOTT ROAD
NORTH KINGSTON, RI 02852**

Project:
**MARINA IMPROVEMENTS
84 WESCOTT ROAD (PLAT 194, LOT 19)
NORTH KINGSTON, RI 02852**

SEAL: **DEVIN JON SANTA**

No. **11854**

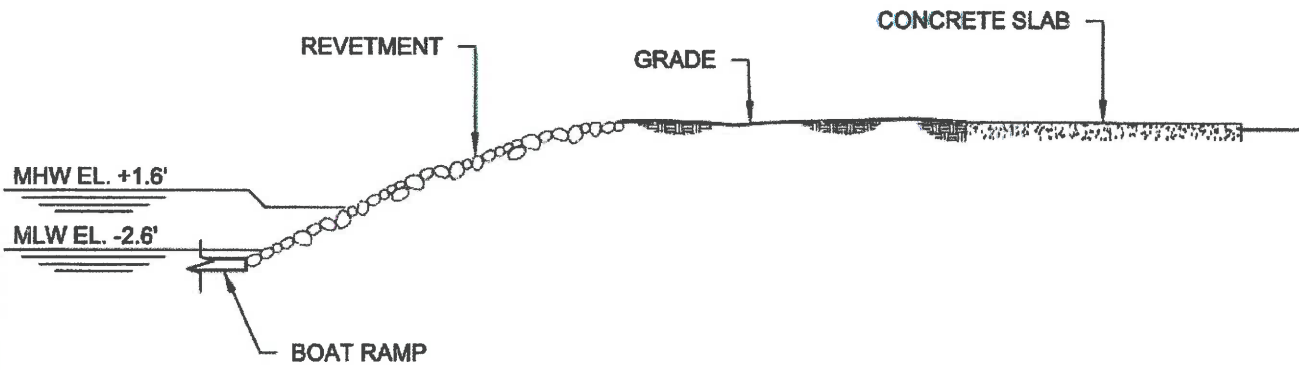
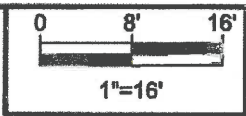
**REGISTERED
PROFESSIONAL ENGINEER
CIVIL**

NOT VALID WITHOUT ENGINEER'S SEAL

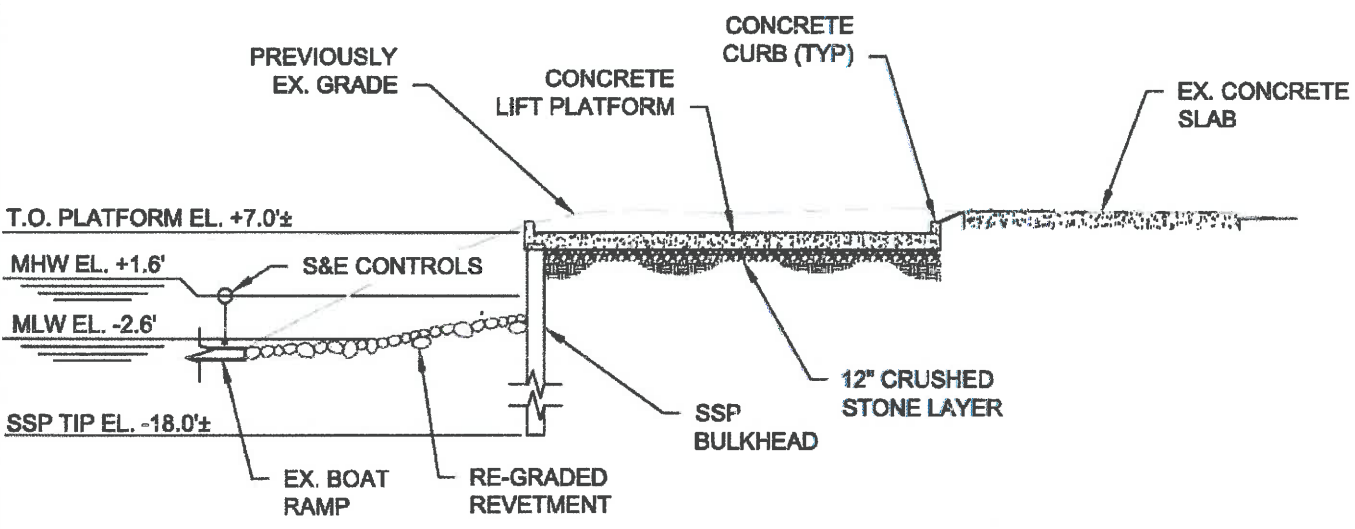
Date:	Rev. #3:
02-07-2022	05-19-2022
Drawn By:	Checked By:
MJW/ZMV	MRR
Datum:	Scale:
NAVD88	1"=16'-0"
Project No.:	Drawing No.:
2021118	8 of 11

ALL RIGHTS RESERVED.
©2020 RACE COASTAL ENGINEERING, LLC.

NOT FOR CONSTRUCTION
FOR REGULATORY REVIEW ONLY



EXISTING SECTION B-B



PROPOSED SECTION B-B

RACE
COASTAL ENGINEERING

611 Access Road Stratford, CT 06615
Tel: 203-377-0863 racecoastal.com

Prepared For:
**SAFE HARBOR MARINAS
ALLEN HARBOR
84 WESTCOTT ROAD
NORTH KINGSTON, RI 02852**

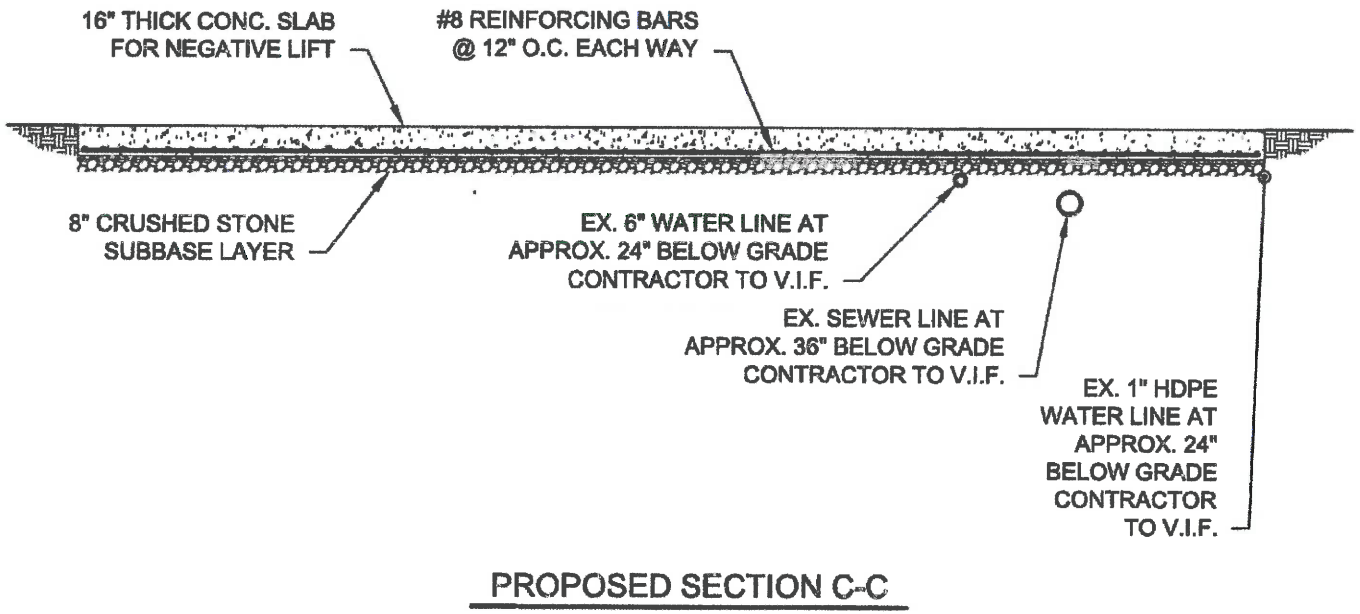
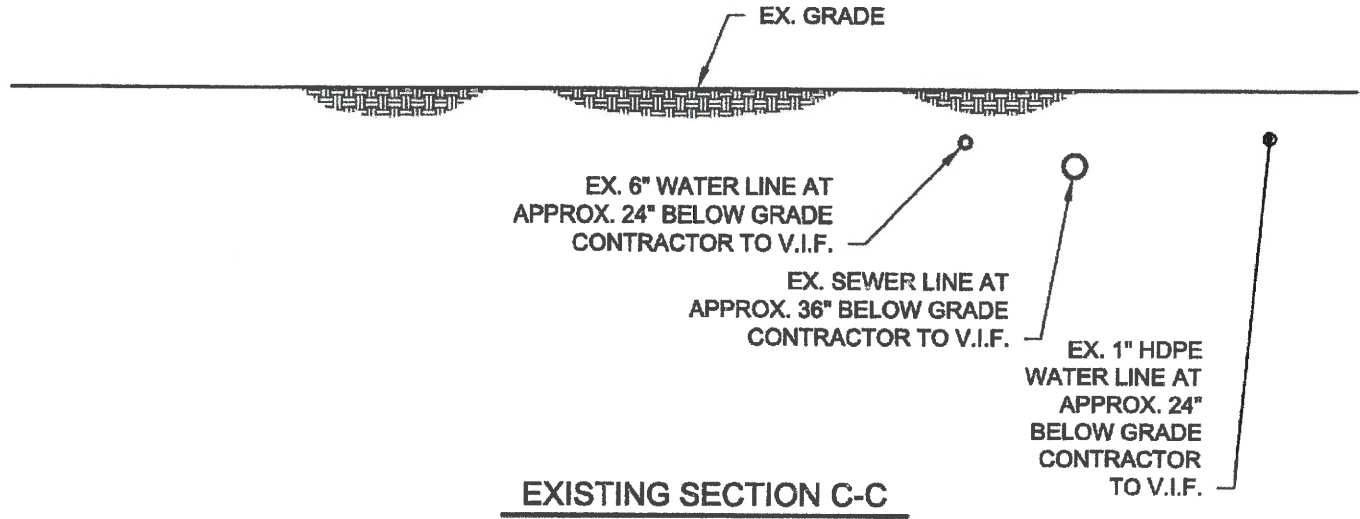
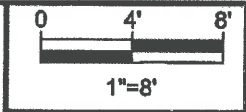
Project:
**MARINA IMPROVEMENTS
84 WESCOTT ROAD (PLAT 194, LOT 19)
NORTH KINGSTON, RI 02852**

SEAL: **DEVIN JON SARRIA**

No. **11854**

**REGISTERED
PROFESSIONAL ENGINEER
CIVIL**

Date:	Rev. #3:
02-07-2022	05-19-2022
Drawn By:	Checked By:
MJW/ZMV	MRR
Datum:	Scale:
NAVD88	1"=30'-0"
Project No.:	Drawing No.:
2021118	9 of 11



RACE
COASTAL ENGINEERING
 611 Access Road Stratford, CT 06615
 Tel: 203-377-0663 racecoastal.com

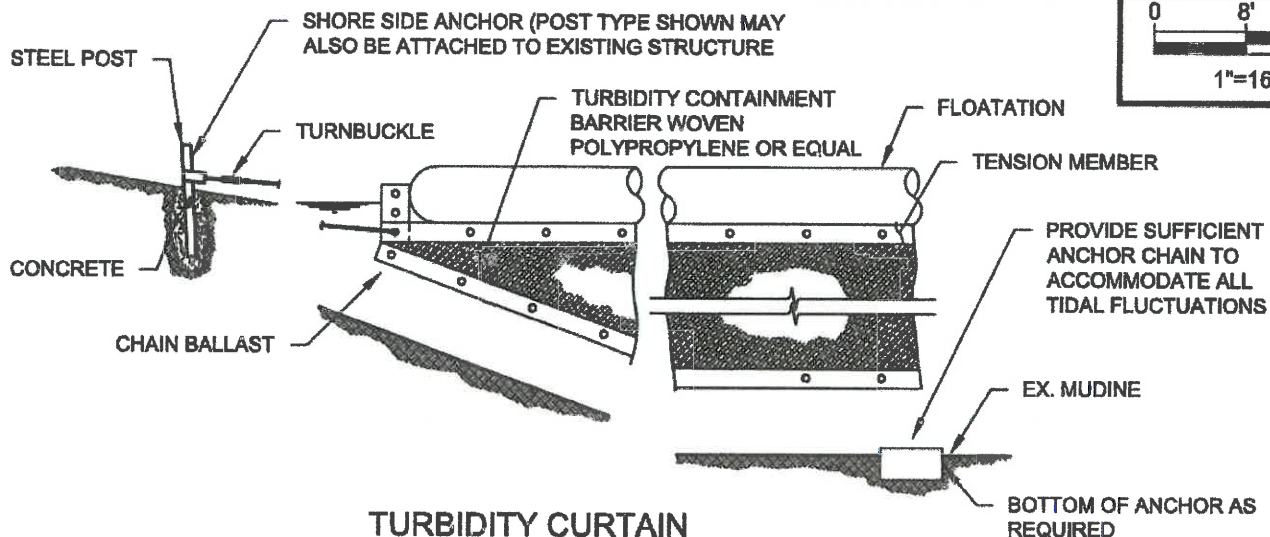
Prepared For:
**SAFE HARBOR MARINAS
 ALLEN HARBOR
 84 WESTCOTT ROAD
 NORTH KINGSTON, RI 02852**

Project:
**MARINA IMPROVEMENTS
 84 WESCOTT ROAD (PLAT 194, LOT 19)
 NORTH KINGSTON, RI 02852**

SEAL:
DEVIN JOHN SANTA

**REGISTERED
 PROFESSIONAL ENGINEER**
 NOT VALID WITHOUT ENGINEER'S SEAL

Date: 03-28-2022	Rev. #3:
Drawn By: MJW/ZMV	Checked By: MRR
Datum: NAVD88	Scale: 1"=8'-0"
Project No.: 2021118	Drawing No.: 10 of 11



TURBIDITY CURTAIN

NOTES):

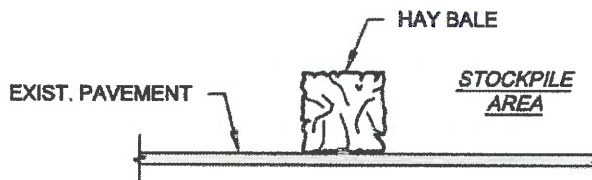
1. CURTAIN AND ANCHOR MUST RESIST EXPECTED WIND, WAVE AND CURRENT ENVIRONMENT AT SITE. CONTRACTOR TO SUBMIT PROPOSED WEIGHTED TURBIDITY CURTAIN SPECIFICATIONS FOR REVIEW/APPROVAL.
2. WORK IS ANTICIPATED TO BE COMPLETED IN SECTIONS. THE CONTRACTOR SHALL CONFINE THE WORK AREA WITH SEDIMENTATION AND EROSION CONTROL MEASURES AS NECESSARY TO COMPLETE THE WORK AND IN ACCORDANCE WITH REGULATORY AUTHORIZATIONS.

S&E NOTES:

1. LAND DISTURBANCE SHALL BE KEPT TO A MINIMUM.
2. PRIOR TO START OF WORK CONTRACTOR SHALL INSTALL APPROPRIATE, S&E CONTROL MEASURES SHALL BE INSTALLED.
3. CONTRACTOR SHALL IMMEDIATELY REPAIR ANY BEACHES OR DAMAGES TO S&E CONTROLS. S&E CONTROLS SHALL BE MAINTAINED THROUGHOUT CONSTRUCTION AND REPLACED AS REQUIRED TO ASSURE S&E CONTROLS ARE OPERATING EFFECTIVELY.
4. ADDITIONAL CONTROL MEASURES SHALL BE INSTALLED DURING THE CONSTRUCTION PERIOD AS NECESSARY AND REQUIRED.
5. THE CONTRACTOR SHALL UTILIZE APPROVED METHODS/MATERIALS FOR PREVENTING THE BLOWING AND MOVEMENT OF DUST FROM EXPOSED SOIL SURFACES ONTO ADJACENT PROPERTIES AND SITE AREAS.

S&E NOTES (CONT.):

6. THE CONTRACTOR SHALL MAINTAIN AN ADDITIONAL SUPPLY OF EROSION & SEDIMENTATION CONTROL ON SITE FOR EMERGENCY PURPOSES.



HAY BALES

NOTE(S):

1. INSTALL HAY BALES ALONG ENTIRE PERIMETER OF SOIL STOCKPILE LOCATION(S).



611 Access Road Stratford, CT 06815
Tel: 203-377-0663 racecoastal.com

Prepared For:
**SAFE HARBOR MARINAS
ALLEN HARBOR
84 WESTCOTT ROAD
NORTH KINGSTON, RI 02852**

Project:
**MARINA IMPROVEMENTS
84 WESCOTT ROAD (PLAT 194, LOT 19)
NORTH KINGSTON, RI 02852**

SEAL:
DEVIN JON SANTA
No. **11854**
**REGISTERED
PROFESSIONAL ENGINEER
CIVIL**
NOT VALID WITHOUT ENGINEER'S SEAL

Date:	Rev. #3:
02-07-2022	05-19-2022
Drawn By:	Checked By:
MJW/ZMV	MRR
Datum:	Scale:
NAVD88	1"=30'-0"
Project No.:	Drawing No.:
2021118	11 of 11