

( IN FEET )  
1 inch = 40 ft.

**NOTES:**  
1. PROPERTY LINE INFORMATION BASED ON A CLASS I PROPERTY LINE SURVEY.

EXISTING DOCK

**CERTIFICATION:**  
THIS SURVEY HAS BEEN CONDUCTED AND THE PLAN HAS BEEN PREPARED PURSUANT TO 435-RICR-00-00-1.9 OF THE RULES AND REGULATIONS ADOPTED BY THE RHODE ISLAND STATE BOARD OF REGISTRATION FOR PROFESSIONAL LAND SURVEYORS ON APRIL 28, 2018 AS FOLLOWS:

**TYPE OF SURVEY:**  
BOUNDARY - LIMITED CONTENT CLASS 1  
DATA ACCUMULATION SURVEY CLASS III  
*Robert A. Perruzzi* 12-13-2023  
ROBERT ANTHONY PERRUZZI P.L.S. [No.] 1950 COA LS-728

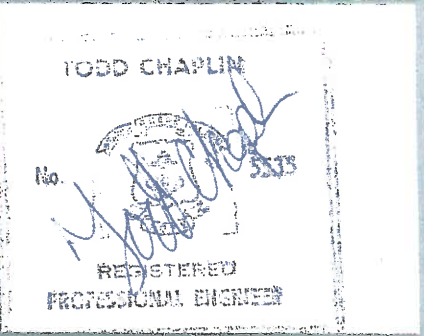


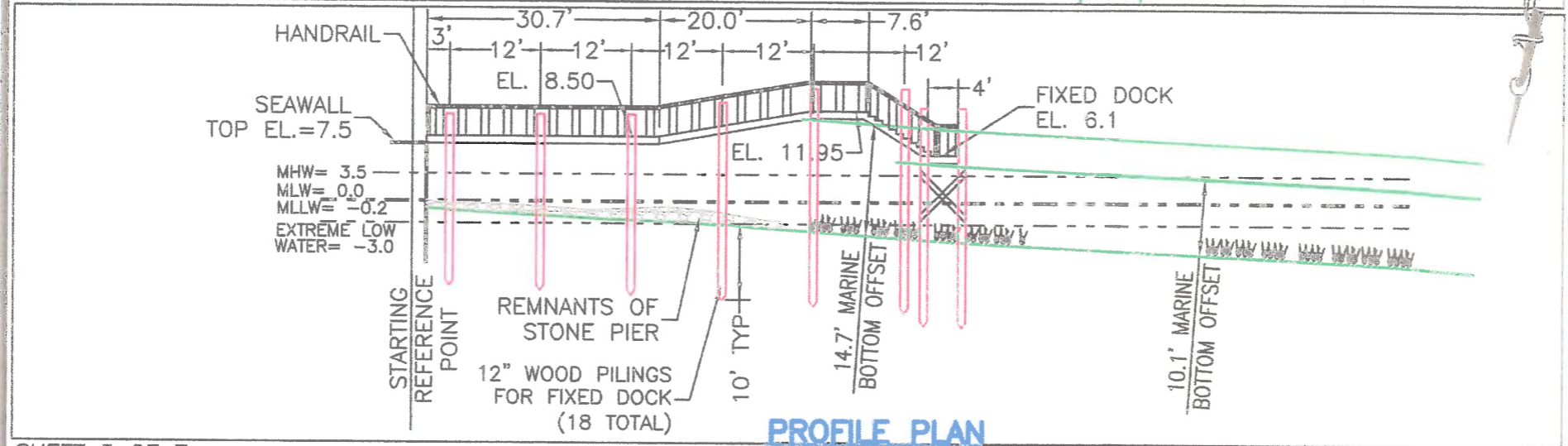
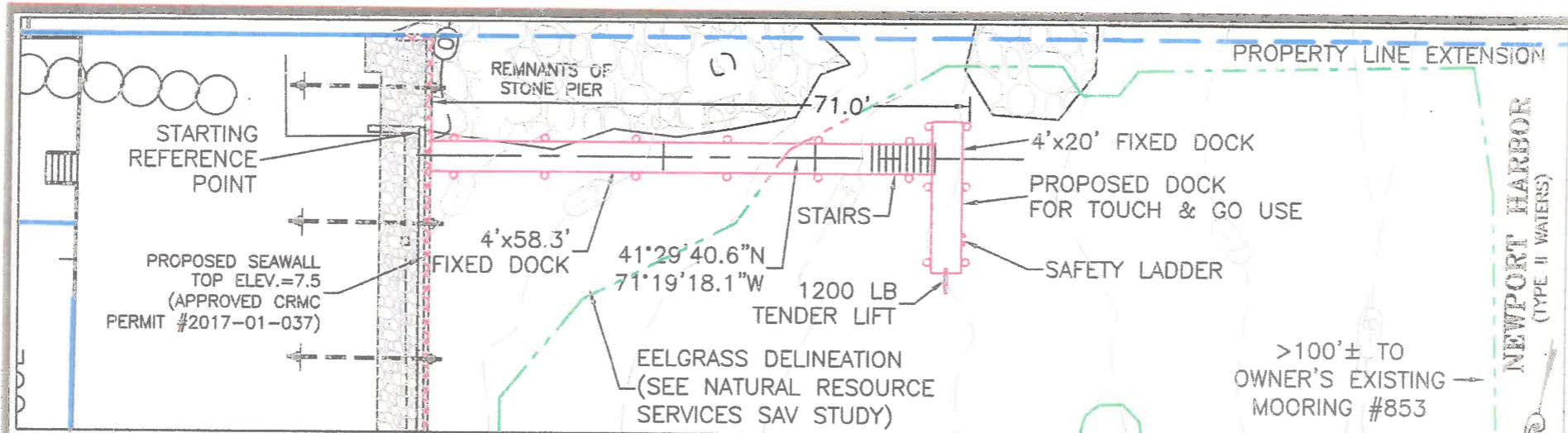
SHEET 4 OF 7

**PURPOSE:** CONSTRUCTION OF  
TIMBER DOCK, FLOAT, GANGWAY & PILES  
**IN:** NEWPORT HARBOR, NEWPORT  
80 WASHINGTON STREET, NEWPORT  
**DATUM:** MHW = 3.5  
MLW = 0.0  
**DATE:** 11/20/18  
**REVISED:** 11/18/19, 02/05/20, 02/27/20,  
03/13/20, 07/19/21, 08/29/23, 12/13/23

# PLAN VIEW

**APPLICATION FOR:**  
TYLER ROPOLO  
80 WASHINGTON STREET  
NEWPORT, RI 02840  
**BY:** MOUNT HOPE ENGINEERING, INC.  
1788 G.A.R. HIGHWAY  
SWANSEA, MA. 02777





SHEET 5 OF 7

PURPOSE: CONSTRUCTION OF  
TIMBER DOCK, FLOAT, GANGWAY & PILES  
IN: NEWPORT HARBOR, NEWPORT  
80 WASHINGTON STREET, NEWPORT

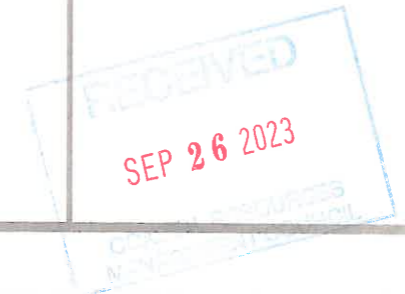
DATUM: MHW = 3.5  
MLW = 0.0

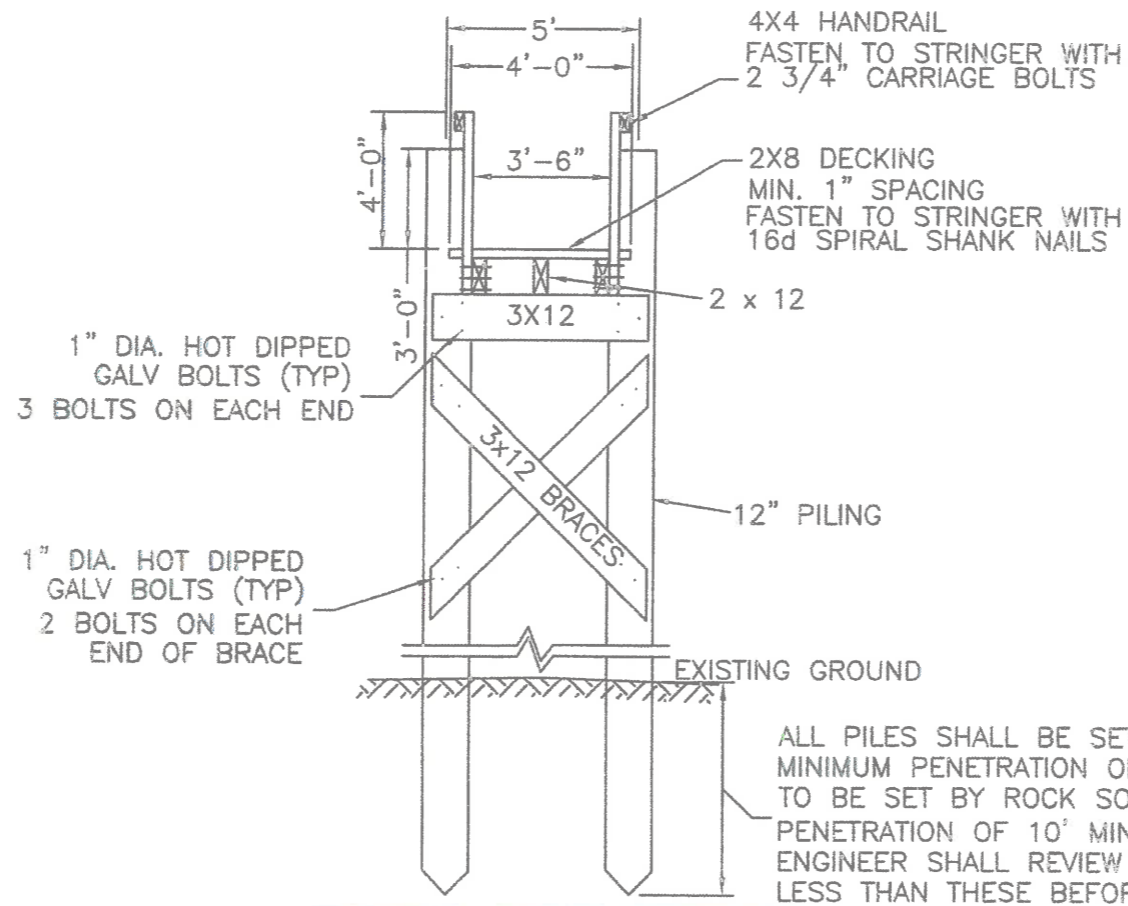
DATE: 11/20/18  
REVISED: 11/18/19, 02/05/20, 02/27/20,  
03/13/20, 08/29/23

# DOCK PROFILE

APPLICATION FOR:  
TYLER ROPOLO  
80 WASHINGTON STREET  
NEWPORT, RI 02840

BY: MOUNT HOPE ENGINEERING, INC.  
1788 G.A.R. HIGHWAY  
SWANSEA, MA. 02777





**TYPICAL BENT SECTION**  
NTS

SHEET 6 OF 7

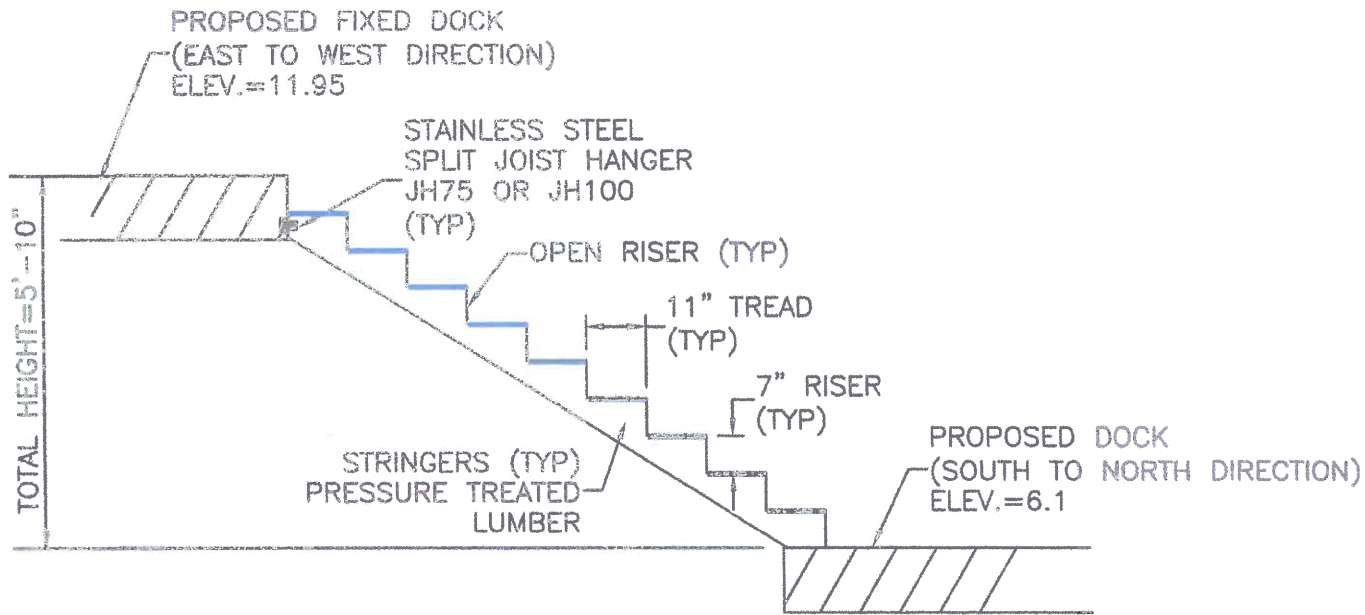
PURPOSE: CONSTRUCTION OF  
TIMBER DOCK, FLOAT, GANGWAY & PILES  
IN: NEWPORT HARBOR, NEWPORT  
80 WASHINGTON STREET, NEWPORT  
DATUM: MHW = 3.5  
MLW = 0.0

DATE: 11/20/18  
REVISED: 11/18/19, 02/05/20, 02/27/20  
03/13/20

## DOCK DETAILS

APPLICATION FOR:  
TYLER ROPOLO  
80 WASHINGTON STREET  
NEWPORT, RI 02840  
BY: MOUNT HOPE ENGINEERING, INC.  
1788 G.A.R. HIGHWAY  
SWANSEA, MA. 02777





**STAIRS PROFILE VIEW**  
NTS

SHEET 7 OF 7

PURPOSE: CONSTRUCTION OF  
TIMBER DOCK, FLOAT, GANGWAY & PILES  
IN: NEWPORT HARBOR, NEWPORT  
80 WASHINGTON STREET, NEWPORT

DATUM: MHW = 3.5  
MLW = 0.0

DATE: 11/20/18

REVISED: 11/18/19, 02/05/20, 02/27/20,  
08/29/23

## DOCK DETAILS

APPLICATION FOR:  
TYLER ROPOLO  
80 WASHINGTON STREET  
NEWPORT, RI 02840

BY: MOUNT HOPE ENGINEERING, INC.  
1788 G.A.R. HIGHWAY  
SWANSEA, MA. 02777

TODD CHAPLIN



REGISTERED  
PROFESSIONAL ENGINEER