

PROJECT SITE
 LAT: 41°48'06.02"N
 LONG: 71°23'46.05"W



DIGITALLY SIGNED: 8/6/2025
 STAMP APPLICABLE TO ALL SUBSEQUENT SHEETS 2-27

TOPO SURVEY: FOTH ON 8/1/2018 & 8/13/2020
 HYDRO SURVEY: FOTH ON 4/25/2024

DATUM: AHTL = +6.06' MLW = +0.18'
 MHW = +4.59' MLLW = 0.00'

FOTH INFRASTRUCTURE & ENVIRONMENT, LLC
 114 TOURO ST, NEWPORT, RI 02840

LOCUS MAP

NOT TO SCALE

SHELL OIL PROVIDENCE TERMINAL
 DOLPHIN ACCESS & TIMBER DEMOLITION

TRITON TERMINALING, LLC
 520 ALLENS AVENUE, PROVIDENCE RI
 MAP 55 LOTS 16 & 17

3/25/2025



COASTAL RESOURCES
 MANAGEMENT COUNCIL

GENERAL NOTES:

1. HORIZONTAL COORDINATES REFER TO NAD83 RHODE ISLAND STATE PLANES, US FOOT.
2. THE VERTICAL REFERENCE PLANE FOR THIS PROJECT IS MEAN LOWER-LOW WATER (MLLW).
3. RESULTS OF TOPOGRAPHY FROM SURVEY BY FOTH INFRASTRUCTURE & ENVIRONMENT, LLC (FOTH) DATED 8/1/2018 & 8/13/2020.
4. THE BATHYMETRIC DATA SHOWN ON THIS PLAN WAS GATHERED BY FOTH ON 4/25/2023. CONTOURS ARE BASED ON THE 1'X1' AVERAGE VALUE DATA SET. RTK CORRECTIONS FOR THIS SURVEY PROVIDED BY KEYNET - VRS (GEOID 12A). ELEVATIONS ARE IN FEET AND TENTHS, AND REFER TO THE MLLW DATUM.
5. ANNUAL HIGH TIDE (AHT) IS +6.06' MLLW BASED ON PREDICTED TIDES FOR 2025 DATE 04/27/2025 AT NOAA STATION 8454000, PROVIDENCE, RI.
6. DATUM CONVERSIONS PERFORMED USING NOAA'S VDATUM SOFTWARE ON 2/9/2025.
7. ORTHO-IMAGERY AND SCALED DATA IS APPROXIMATE UNLESS OTHERWISE NOTED AND SHOULD BE USED AS A GENERAL REFERENCE ONLY.
8. PROJECT SITE IS IN FEMA ZONE VE (EL. +14' NAVD88; EL. +16.47' MLLW) IN ACCORDANCE TO FEMA FIRM MAP #44007C0317J, EFFECTIVE DATE SEPTEMBER 18, 2023.
9. PROJECT SITE IS LOCATED ENTIRELY WITHIN RI CRMC TYPE 6 WATERS FOR INDUSTRIAL WATERFRONTS AND COMMERCIAL NAVIGATION CHANNELS AS MAPPED BY RIGIS ONLINE TOOL.
10. PROJECT SITE IS LOCATED ENTIRELY WITHIN AN ENDANGERED SPECIES FISH HABITAT FOR ATLANTIC STURGEON AND SHORTNOSE STURGEON AS MAPPED BY NOAA'S ESA SECTION 7 ONLINE TOOL.
11. PROJECT SITE IS LOCATED ENTIRELY WITHIN A SHELLFISH HARVEST RESTRICTION AREA DESIGNATED AS SHELLFISHING PROHIBITED AS MAPPED BY RIGIS ONLINE TOOL.
15. SURFACE WATER IWQMA WATER QUALITY STANDARD IMPARIMENTS WITHIN THE PROJECT SITE INCLUDE DISSOLVED OXYGEN, TOTAL NITROGEN, AND FECAL COLIFORM AS MAPPED BY RIDEM ENVIRONMENTAL RESOURCE ONLINE TOOL.
16. NO GRADE CHANGES ARE PROPOSED.
17. POSSESSION AND USE OF THE MATERIAL CONTAINED ON THESE DRAWINGS IS GRANTED ONLY IN CONNECTION WITH ITS USE AS IT RELATES TO THE TITLED PROJECT, ANY OTHER USE, REPRODUCTION OR DISCLOSURE OF THE INFORMATION CONTAINED HEREON IS EXPRESSLY PROHIBITED WITHOUT THE WRITTEN CONSENT OF FOTH.

© COPYRIGHT 2025, FOTH INFRASTRUCTURE & ENVIRONMENT, LLC.

SURVEY NOTES:

- | | |
|---------------------|---|
| 1. PROJECT NAME: | SHELL PROVIDENCE TERMINAL - CONDITIONAL BATHYMETRIC SURVEY |
| 2. PROJECT NUMBER: | 0023T026 |
| 3. PLOT SCALE: | AS NOTED |
| 4. SURVEY DATE: | APRIL 25, 2023 |
| 5. SURVEYOR: | J.RAY, J.BARANELO |
| 6. VESSEL: | OSCAR |
| 7. TRANS./FATH.: | 320KHZ, 150 DEGREE, RESON T-50, APPLANIX POS/MV, KEYNET VRS |
| 8. WEATHER COND: | SUNNY, NW 10-20, SLIGHT CHOP |
| 9. PROJECT DATUM: | MLLW AS NOTED IN DATUM CONVERSION CHART |
| 10. COOR. SYSTEM: | NAD-83, RHODE ISLAND STATE PLANE |
| 11. DATA REDUCTION: | DATA SORTED 10'X10' MINIMUM FOR SOUNDINGS, 1'X1' AVERAGE FOR CONTOURS AND DTM |

TOPO SURVEY: FOTH ON 8/1/2018 & 8/13/2020
 HYDRO SURVEY: FOTH ON 4/25/2024

PROJECT NOTES

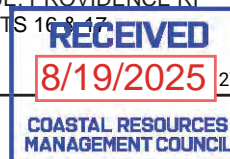
SHELL OIL PROVIDENCE TERMINAL
 DOLPHIN ACCESS & TIMBER DEMOLITION

TRITON TERMINALING, LLC
 520 ALLENS AVENUE, PROVIDENCE RI
 MAP 55 LOTS 16 & 17

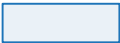



DATUM: AHTL = +6.06' MLW = +0.18'
 MHW = +4.59' MLLW = 0.00'

FOTH INFRASTRUCTURE & ENVIRONMENT, LLC
 114 TOURO ST, NEWPORT, RI 02840

3/25/2025



LEGEND

US FEDERAL CHANNEL LIMITS (ACOE)	-----
PROPERTY LINE (MASSGIS)	- - - - -
FEMA FLOOD ZONE (FEMA)	-----
EXISTING CONTOUR MAJOR	- - - - -
EXISTING CONTOUR MINOR	- - - - -
APPROX. EXTENTS OF EXISTING PIPELINE MANIFOLD	-----
STRUCTURAL PERIMETER LIMIT	- . - . -
ANNUAL HIGH TIDE LINE (HTL EL. 7.72')	-----
MEAN HIGH WATER (MHW EL. 4.59')	-----
MEAN LOW WATER (MLW EL. 0.18')	••••••••
CRMC TYPE 6 WATERS - INDUSTRIAL WATERFRONTS & COMMERCIAL NAVIGATIONAL CHANNELS	
SHELLFISH HARVEST RESTRICTION AREA	
RIDEM SB1{a} WATERS	
PROPOSED DEMOLITION	

DATUM
OFFSETS

MLLW	NAVD 88	
6.06	3.59	AHT
4.84	2.37	MHHW
4.59	2.12	MHW
2.47	0.00	NAVD 88
0.18	-2.29	MLW
0.00	-2.47	MLLW

OFFSETS TAKEN FROM
VDATUM ONLINE ON 2/9/2025
FOR 41.802483N, -71.394146W

TOPO SURVEY: FOTH ON 8/1/2018 & 8/13/2020
HYDRO SURVEY: FOTH ON 4/25/2024

DATUM: AHTL = +6.06' MLW = +0.18'
 MHW = +4.59' MLLW = 0.00'

FOTH INFRASTRUCTURE & ENVIRONMENT, LLC
114 TOURO ST, NEWPORT, RI 02840

LEGEND & DATUMS

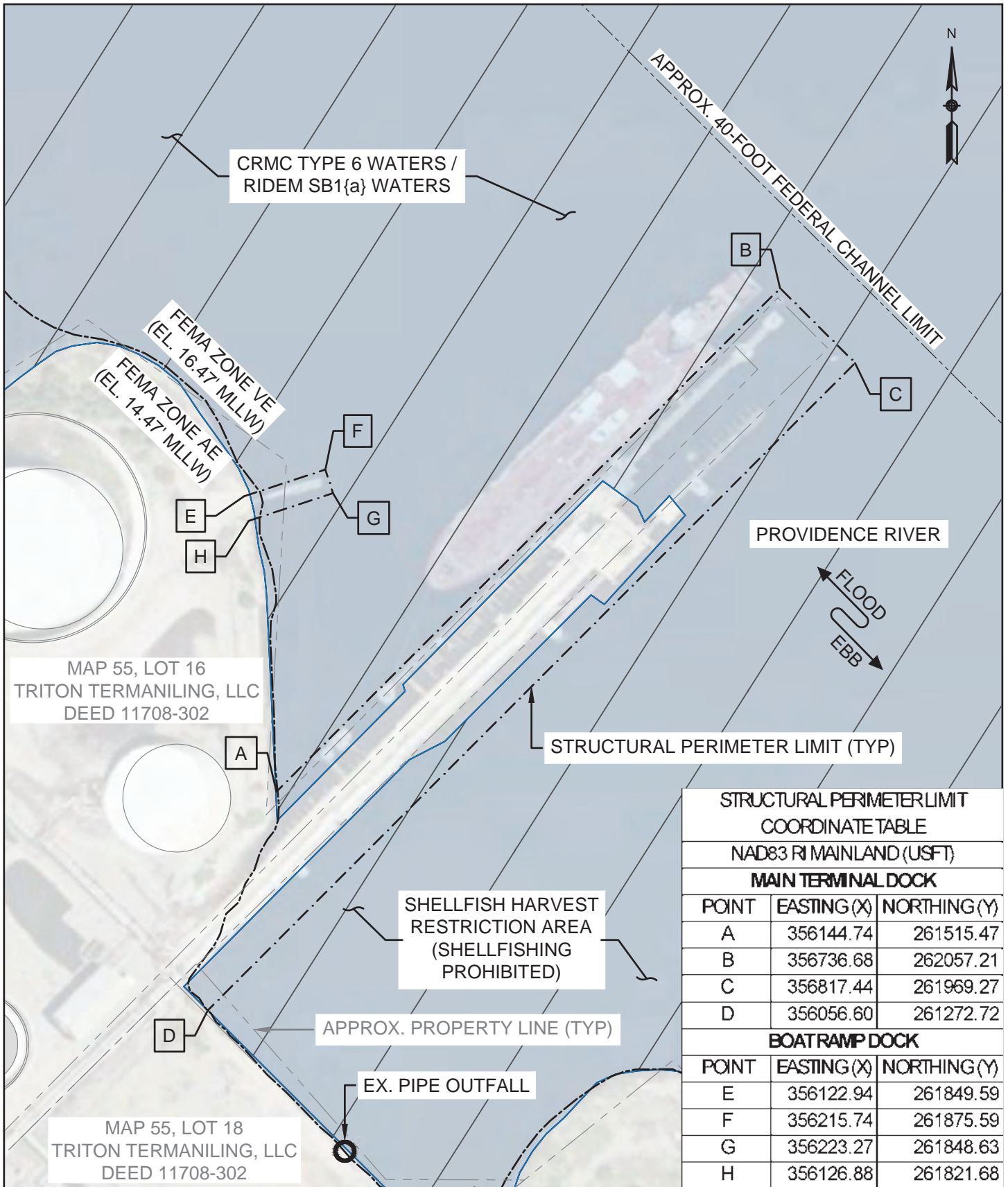
SHELL OIL PROVIDENCE TERMINAL
DOLPHIN ACCESS & TIMBER DEMOLITION

TRITON TERMINALING, LLC
520 ALLENS AVENUE, PROVIDENCE RI
MAP 55 LOTS 16 & 17

3/25/2025

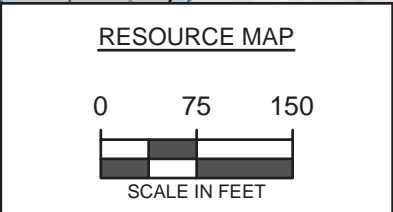
RECEIVED
8/19/2025

COASTAL RESOURCES
MANAGEMENT COUNCIL



STRUCTURAL PERIMETER LIMIT COORDINATE TABLE NAD83 RI MAINLAND (USFT)		
MAIN TERMINAL DOCK		
POINT	EASTING (X)	NORTHING (Y)
A	356144.74	261515.47
B	356736.68	262057.21
C	356817.44	261969.27
D	356056.60	261272.72
BOATRAMP DOCK		
POINT	EASTING (X)	NORTHING (Y)
E	356122.94	261849.59
F	356215.74	261875.59
G	356223.27	261848.63
H	356126.88	261821.68

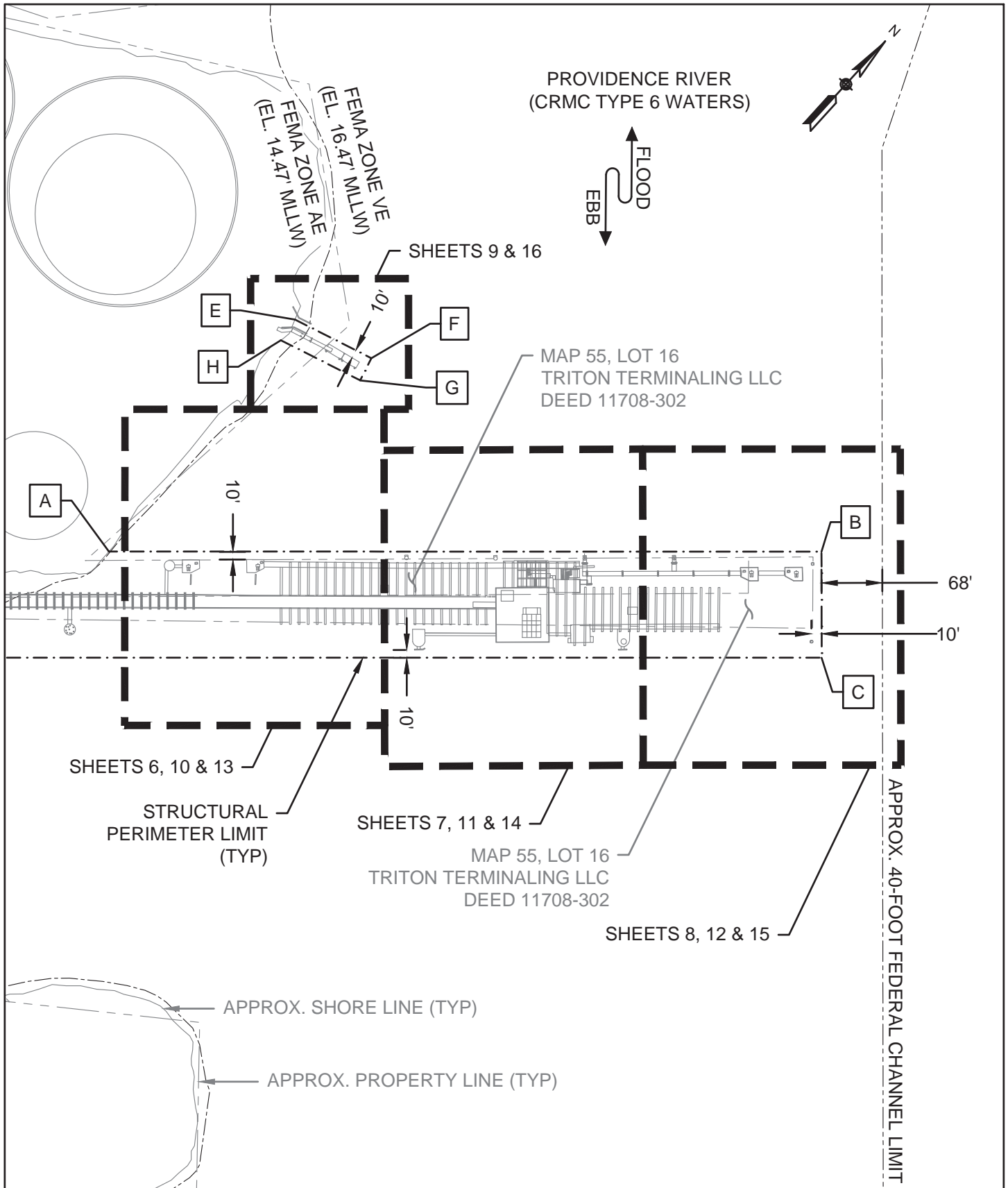
TOPO SURVEY: FOTH ON 8/1/2018 & 8/13/2020
 HYDRO SURVEY: FOTH ON 4/25/2024
 DATUM: AHTL = +6.06' MLW = +0.18'
 MHW = +4.59' MLLW = 0.00'
 FOTH INFRASTRUCTURE & ENVIRONMENT, LLC
 114 TOURO ST, NEWPORT, RI 02840



SHELL OIL PROVIDENCE TERMINAL
 DOLPHIN ACCESS & TIMBER DEMOLITION
 TRITON TERMANILING, LLC
 520 ALLENS AVENUE, PROVIDENCE RI
 MAP 55 LOTS 16 & 17

3/25/2025

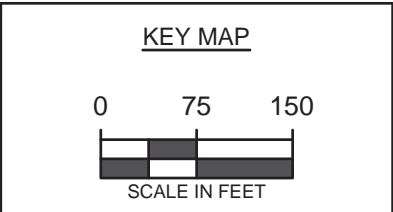




TOPO SURVEY: FOTH ON 8/1/2018 & 8/13/2020
HYDRO SURVEY: FOTH ON 4/25/2024

DATUM: AHTL = +6.06' MLW = +0.18'
 MHW = +4.59' MLLW = 0.00'

FOTH INFRASTRUCTURE & ENVIRONMENT, LLC
114 TOURO ST, NEWPORT, RI 02840



SHELL OIL PROVIDENCE TERMINAL
DOLPHIN ACCESS & TIMBER DEMOLITION

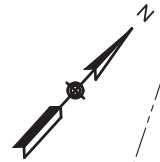
TRITON TERMINALING, LLC
520 ALLENS AVENUE, PROVIDENCE RI
MAP 55 LOTS 16 & 17

3/25/2025

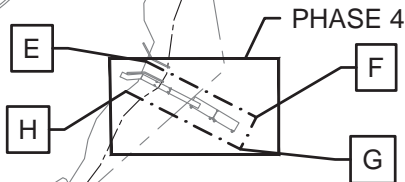
RECEIVED
8/19/2025

COASTAL RESOURCES
MANAGEMENT COUNCIL

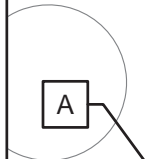
PROVIDENCE RIVER
(CRMC TYPE 6 WATERS)



FEMA ZONE VE
(EL. 16.47' MLLW)
FEMA ZONE AE
(EL. 14.47' MLLW)



MAP 55, LOT 16
TRITON TERMINALING LLC
DEED 11708-302



PHASE 3

PHASE 2

PHASE 1

STRUCTURAL
PERIMETER LIMIT
(TYP)

MAP 55, LOT 16
TRITON TERMINALING LLC
DEED 11708-302

APPROX. 40-FOOT FEDERAL CHANNEL LIMIT

APPROX. SHORE LINE (TYP)

APPROX. PROPERTY LINE (TYP)

TOPO SURVEY: FOTH ON 8/1/2018 & 8/13/2020
HYDRO SURVEY: FOTH ON 4/25/2024

DATUM: AHTL = +6.06' MLW = +0.18'
MHW = +4.59' MLLW = 0.00'

FOTH INFRASTRUCTURE & ENVIRONMENT, LLC
114 TOURO ST, NEWPORT, RI 02840

PROPOSED PHASING PLAN

0 75 150



SCALE IN FEET

SHELL OIL PROVIDENCE TERMINAL
DOLPHIN ACCESS & TIMBER DEMOLITION

TRITON TERMINALING, LLC
520 ALLENS AVENUE, PROVIDENCE RI
MAP 55 LOTS 16 & 17

3/25/2025

RECEIVED

8/19/2025

27

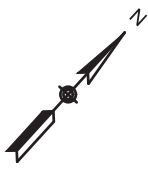
COASTAL RESOURCES
MANAGEMENT COUNCIL

MATCHLINE SHEET 10

APPROX. SHORELINE

APPROX. PROPERTY LINE (TYP)

PROVIDENCE RIVER (CRMC TYPE 6 WATERS)



FEMA ZONE AE (EL. 14.47' MLLW)
FEMA ZONE VE (EL. 16.47' MLLW)

MAP 55, LOT 16 TRITON TERMINALING LLC DEED 11708-302

EX. 15'x20'± DOLPHIN W/ 60"± Ø MONOPILE (TYP)

EX. 6'x270'± CATWALK

EX. 2'-6"x31'-6"± TIMBER CATWALK

EX. 12" Ø TIMBER PILE (TYP)

EX. TIMBER PILE CAP (TYP)

EX. CONC. BOLLARD

EX. 6'± Ø CONC. DOLPHIN

EX. 3'x9'± STEEL CATWALK

EX. 18" Ø STEEL PILE (TYP)

EX. 12" Ø STEEL PILE (TYP)

EX. STEEL PIPE RACK (TYP)

EX. PIPELINE MANIFOLD (TYP)

EX. TIMBER PILE BENT W/ 2 TIMBER PILES (TYP)

EX. 3'x29'± STEEL CATWALK

EX. 14'-6"x680'± CONC. APPROACHWAY

STRUCTURAL PERIMETER LIMIT (TYP)

MAP 55, LOT 17 TRITON TERMINALING LLC DEED 11708-302

EX. CONC. APPROACHWAY TIMBER SUPPORT BENTS

MATCHLINE SHEET 8

TOPO SURVEY: FOTH ON 8/1/2018 & 8/13/2020
HYDRO SURVEY: FOTH ON 4/25/2024

DATUM: AHTL = +6.06' MLW = +0.18'
MHW = +4.59' MLLW = 0.00'

FOTH INFRASTRUCTURE & ENVIRONMENT, LLC
114 TOURO ST, NEWPORT, RI 02840

EXISTING CONDITIONS 1 OF 4

0 20 40



SCALE IN FEET

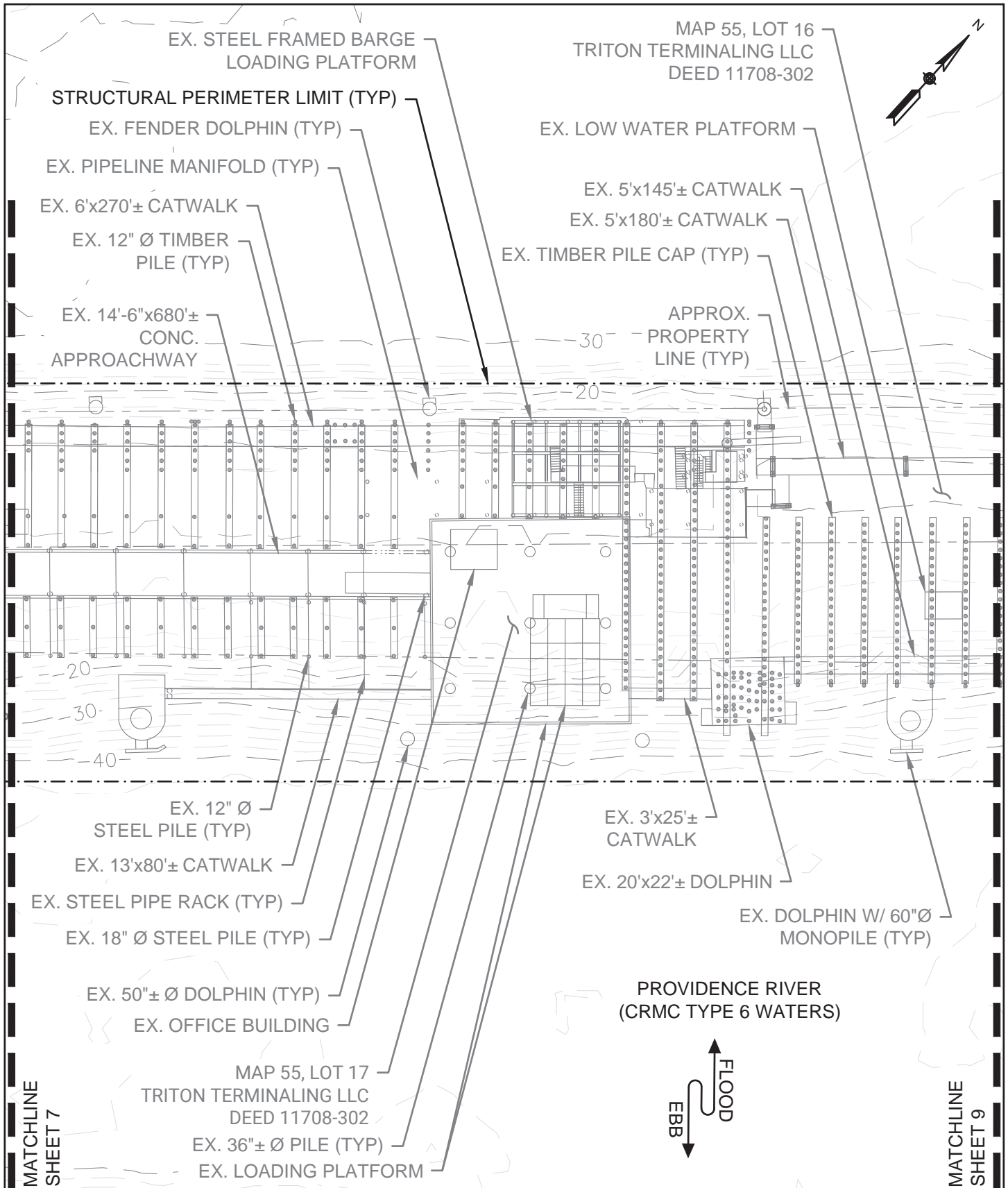
SHELL OIL PROVIDENCE TERMINAL DOLPHIN ACCESS & TIMBER DEMOLITION

TRITON TERMINALING, LLC
520 ALLENS AVENUE, PROVIDENCE RI
MAP 55 LOTS 16 & 17

3/25/2025



COASTAL RESOURCES MANAGEMENT COUNCIL



MATCHLINE SHEET 7

MATCHLINE SHEET 9

TOPO SURVEY: FOTH ON 8/1/2018 & 8/13/2020
 HYDRO SURVEY: FOTH ON 4/25/2024

DATUM: AHTL = +6.06' MLW = +0.18'
 MHW = +4.59' MLLW = 0.00'

FOTH INFRASTRUCTURE & ENVIRONMENT, LLC
 114 TOURO ST, NEWPORT, RI 02840

EXISTING CONDITIONS 2 OF 4

0 20 40

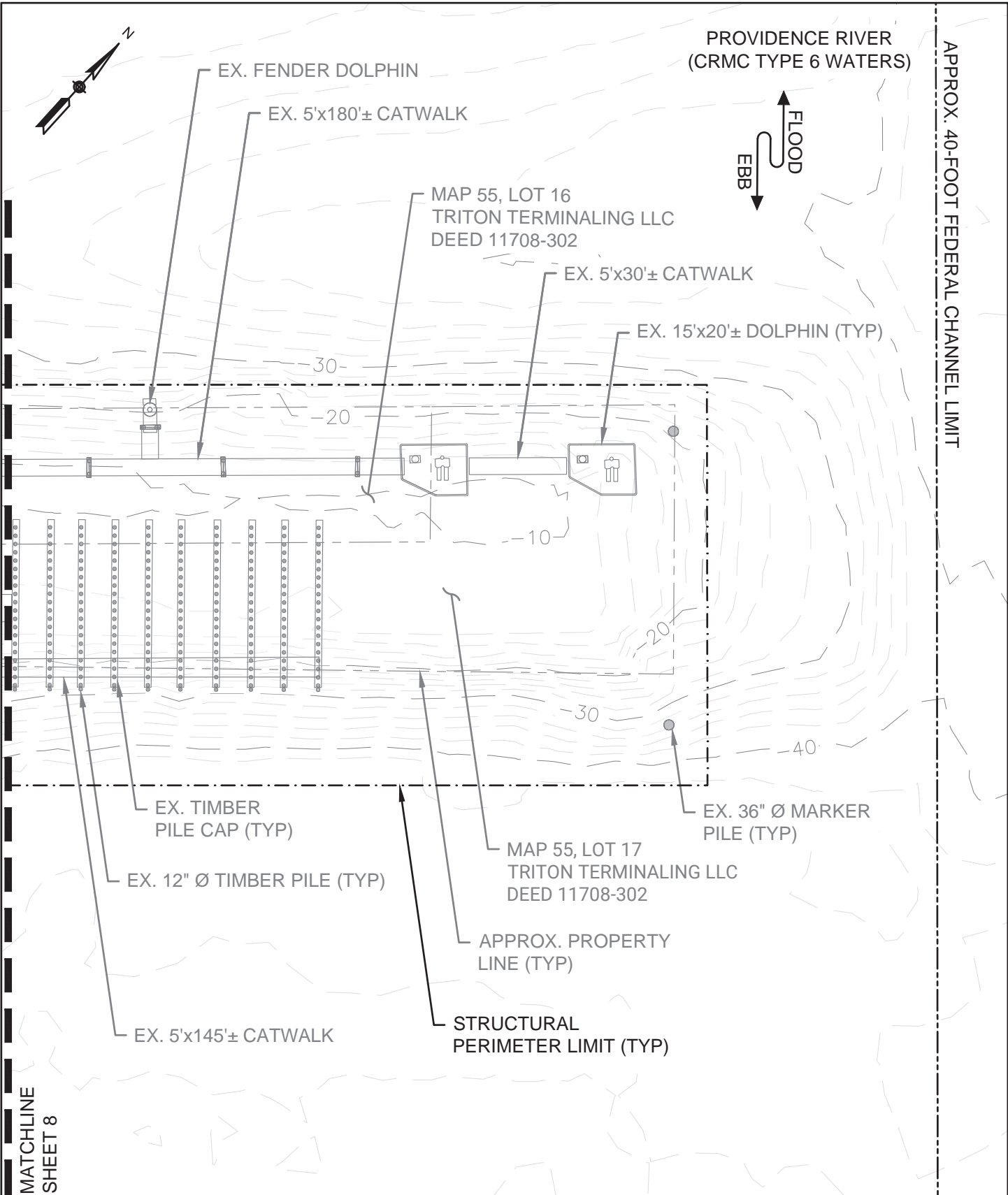
SCALE IN FEET

SHELL OIL PROVIDENCE TERMINAL
 DOLPHIN ACCESS & TIMBER DEMOLITION

TRITON TERMINALING, LLC
 520 ALLENS AVENUE, PROVIDENCE RI
 MAP 55 LOTS 16 & 17

3/25/2025





MATCHLINE SHEET 8

TOPO SURVEY: FOTH ON 8/1/2018 & 8/13/2020
 HYDRO SURVEY: FOTH ON 4/25/2024

DATUM: AHTL = +6.06' MLW = +0.18'
 MHW = +4.59' MLLW = 0.00'

FOTH INFRASTRUCTURE & ENVIRONMENT, LLC
 114 TOURO ST, NEWPORT, RI 02840

EXISTING CONDITIONS 3 OF 4

0 20 40

SCALE IN FEET

SHELL OIL PROVIDENCE TERMINAL
 DOLPHIN ACCESS & TIMBER DEMOLITION

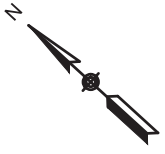
TRITON TERMINALING, LLC
 520 ALLENS AVENUE, PROVIDENCE RI
 MAP 55 LOTS 16 & 17

3/25/2025

RECEIVED

8/19/2025

COASTAL RESOURCES
MANAGEMENT COUNCIL



PROVIDENCE RIVER
(CRMC TYPE 6 WATERS)



8

10

12

14

16

18

20

EX. 8'x20'± TIMBER FLOAT (TYP)

EX. FLOAT
CONNECTION PIN (TYP)

EX. 12" Ø TIMBER
FLOAT PILE (TYP)

EX. PILE GUIDE (TYP)

STRUCTURAL
PERIMETER LIMIT (TYP)

EX. 4'x25'± GANGWAY

EX. BOAT RAMP

EX. GANGWAY HEADER

EX. 12" Ø TIMBER
PIER PILE (TYP)

EX. 4'x25'±
TIMBER PIER

APPROX.
PROPERTY LINE

EX. CONC. PATH

FEMA ZONE VE
(EL. 16.47' MLLW)
FEMA ZONE AE
(EL. 14.47' MLLW)

MAP 55, LOT 16
TRITON TERMINALING, LLC
DEED 11708-302

APPROX. SHORELINE

MATCHLINE
SHEET 7

TOPO SURVEY: FOTH ON 8/1/2018 & 8/13/2020
HYDRO SURVEY: FOTH ON 4/25/2024

DATUM: AHTL = +6.06' MLW = +0.18'
MHW = +4.59' MLLW = 0.00'

FOTH INFRASTRUCTURE & ENVIRONMENT, LLC
114 TOURO ST, NEWPORT, RI 02840

EXISTING CONDITIONS 4 OF 4

0 20 40



SCALE IN FEET

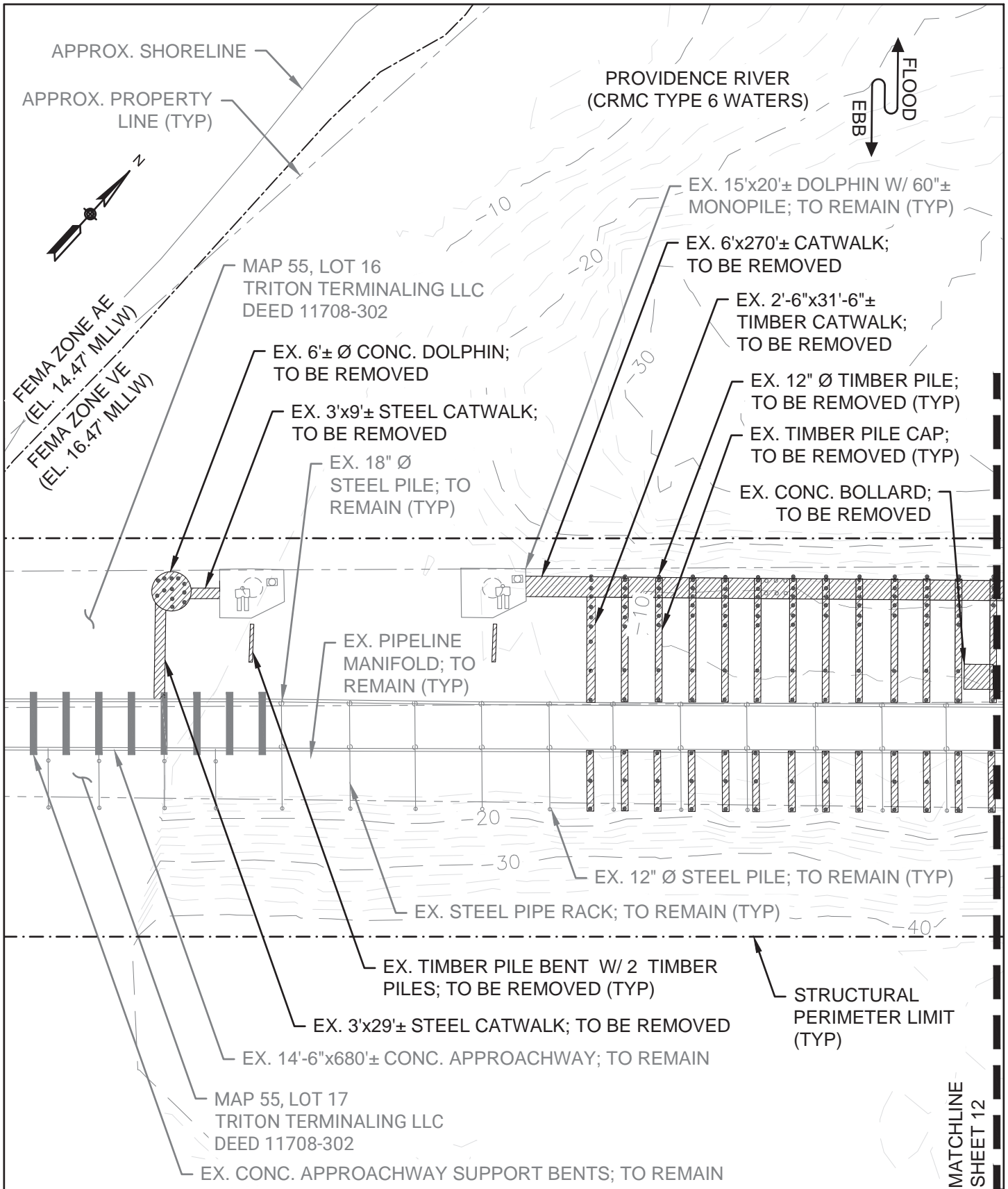
SHELL OIL PROVIDENCE TERMINAL
DOLPHIN ACCESS & TIMBER DEMOLITION

TRITON TERMINALING, LLC
520 ALLENS AVENUE, PROVIDENCE RI
MAP 55 LOTS 16 & 17

3/25/2025

RECEIVED
8/19/2025

COASTAL RESOURCES
MANAGEMENT COUNCIL



TOPO SURVEY: FOTH ON 8/1/2018 & 8/13/2020
 HYDRO SURVEY: FOTH ON 4/25/2024

DATUM: AHTL = +6.06' MLW = +0.18'
 MHW = +4.59' MLLW = 0.00'

FOTH INFRASTRUCTURE & ENVIRONMENT, LLC
 114 TOURO ST, NEWPORT, RI 02840

DEMOLITION PLAN 1 OF 3

0 20 40

SCALE IN FEET

SHELL OIL PROVIDENCE TERMINAL
 DOLPHIN ACCESS & TIMBER DEMOLITION

TRITON TERMINALING, LLC
 520 ALLENS AVENUE, PROVIDENCE RI
 MAP 55 LOTS 16 & 17

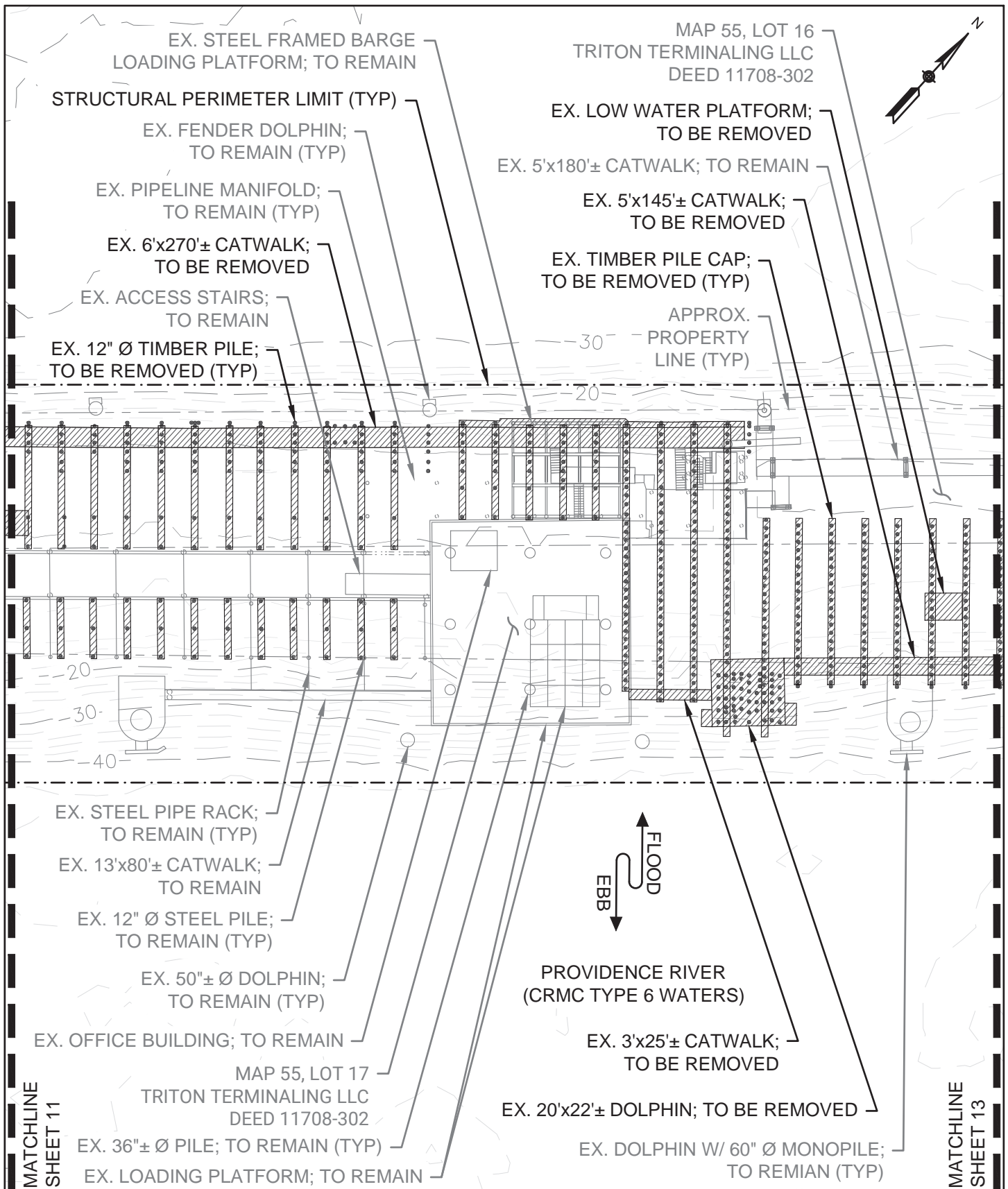
3/25/2025

RECEIVED

8/19/2025

COASTAL RESOURCES
MANAGEMENT COUNCIL

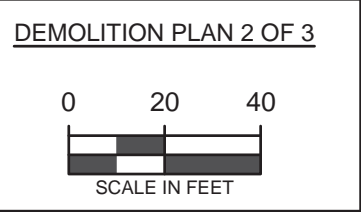
MATCHLINE
SHEET 12



TOPO SURVEY: FOTH ON 8/1/2018 & 8/13/2020
 HYDRO SURVEY: FOTH ON 4/25/2024

DATUM: AHTL = +6.06' MLW = +0.18'
 MHW = +4.59' MLLW = 0.00'

FOTH INFRASTRUCTURE & ENVIRONMENT, LLC
 114 TOURO ST, NEWPORT, RI 02840

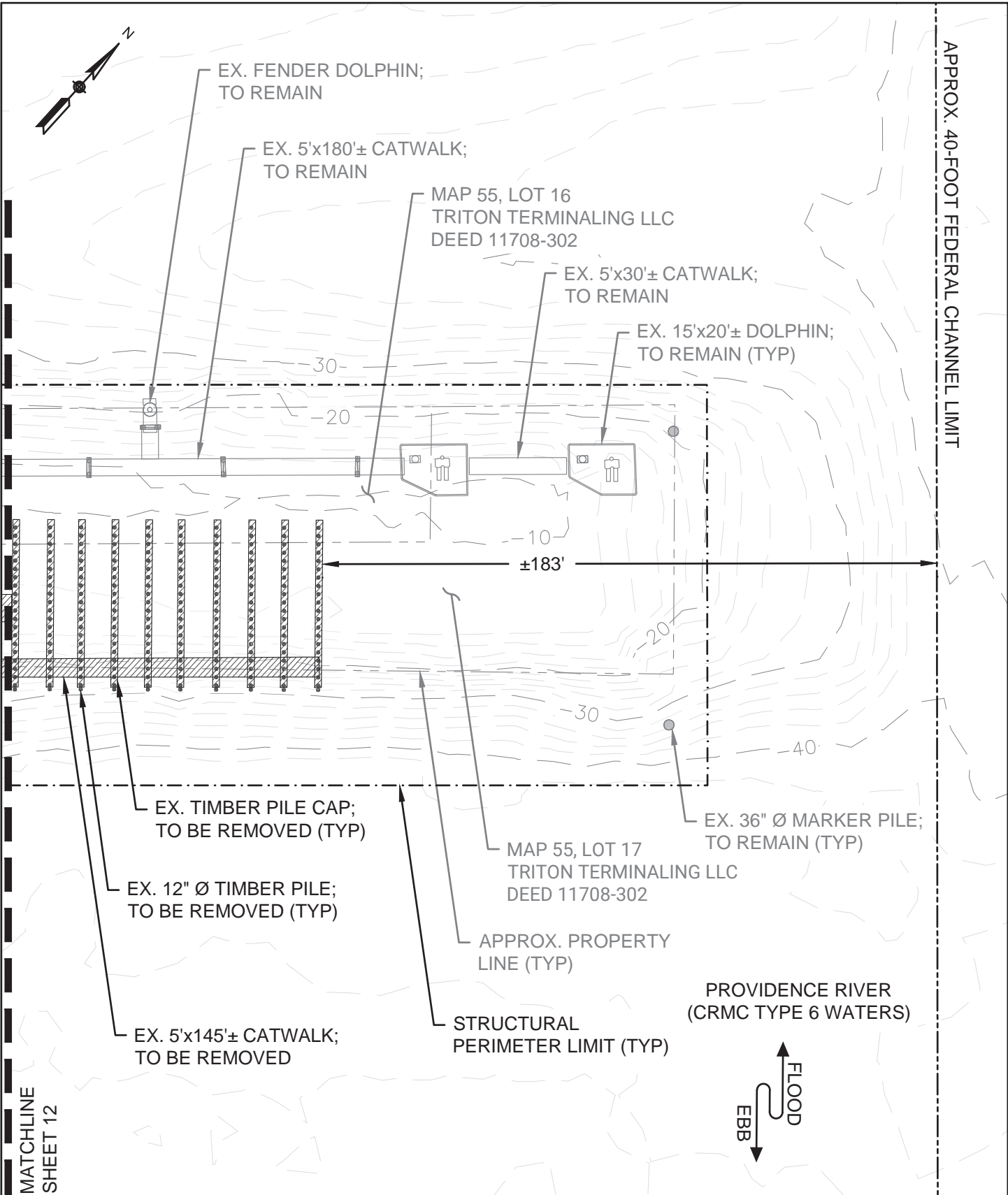


SHELL OIL PROVIDENCE TERMINAL
 DOLPHIN ACCESS & TIMBER DEMOLITION

TRITON TERMINALING, LLC
 520 ALLENS AVENUE, PROVIDENCE RI
 MAP 55 LOTS 16 & 17

3/25/2025



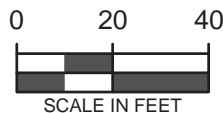


TOPO SURVEY: FOTH ON 8/1/2018 & 8/13/2020
 HYDRO SURVEY: FOTH ON 4/25/2024

DATUM: AHTL = +6.06' MLW = +0.18'
 MHW = +4.59' MLLW = 0.00'

FOTH INFRASTRUCTURE & ENVIRONMENT, LLC
 114 TOURO ST, NEWPORT, RI 02840

DEMOLITION PLAN 3 OF 3



SHELL OIL PROVIDENCE TERMINAL
 DOLPHIN ACCESS & TIMBER DEMOLITION

TRITON TERMINALING, LLC
 520 ALLENS AVENUE, PROVIDENCE RI
 MAP 55 LOTS 16 & 17

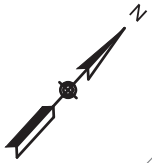
3/25/2025



MATCHLINE SHEET 17

APPROX. SHORELINE

APPROX. PROPERTY LINE (TYP)



PROVIDENCE RIVER (CRMC TYPE 6 WATERS)



FEMA ZONE AE (EL. 14.47' MLLW)
FEMA ZONE VE (EL. 16.47' MLLW)

MAP 55, LOT 16
TRITON TERMINALING LLC
DEED 11708-302

EX. 14'-6" x 680'± CONC. APPROACHWAY

EX. 15' x 20'± DOLPHIN W/
60"± MONOPILE (TYP)

EX. 18" Ø STEEL PILE (TYP)

EX. STEEL PIPE RACK

PROP. STEEL FRAME
CATWALK #2; SEE SHEET 20

EX. 12" Ø STEEL PILE (TYP)

PROP. STEEL FRAME CATWALK #1;
SEE SHEET 19

STRUCTURAL
PERIMETER LIMIT
(TYP)

EX. PIPELINE MANIFOLD (TYP)

MAP 55, LOT 17
TRITON TERMINALING LLC
DEED 11708-302

EX. CONC. APPROACHWAY SUPPORT BENTS

MATCHLINE SHEET 15

TOPO SURVEY: FOTH ON 8/1/2018 & 8/13/2020
HYDRO SURVEY: FOTH ON 4/25/2024

DATUM: AHTL = +6.06' MLW = +0.18'
MHW = +4.59' MLLW = 0.00'

FOTH INFRASTRUCTURE & ENVIRONMENT, LLC
114 TOURO ST, NEWPORT, RI 02840

PROPOSED CONDITIONS 1 OF 4



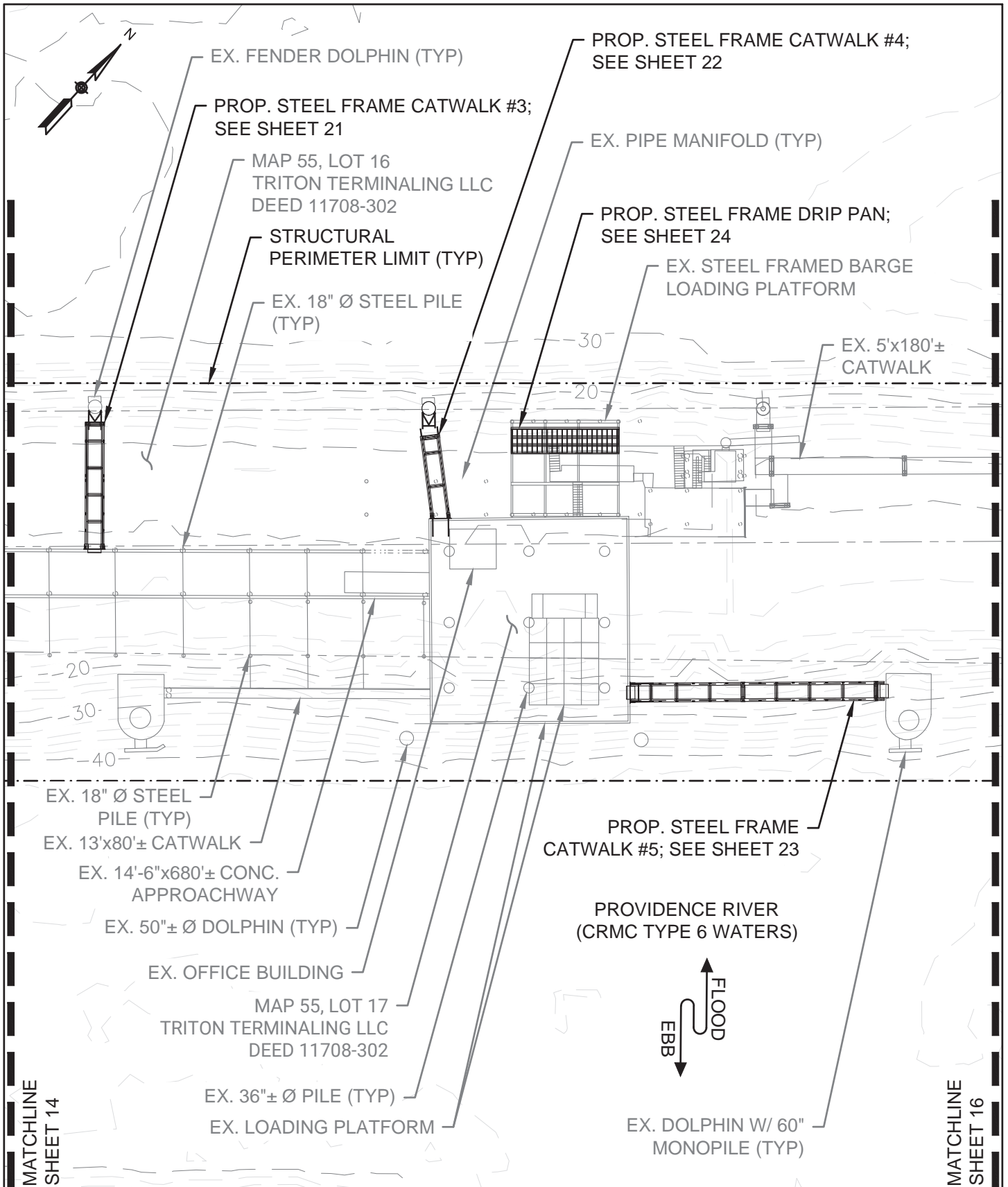
SHELL OIL PROVIDENCE TERMINAL
DOLPHIN ACCESS & TIMBER DEMOLITION

TRITON TERMINALING, LLC
520 ALLENS AVENUE, PROVIDENCE RI
MAP 55 LOTS 16 & 17

3/25/2025

RECEIVED
8/19/2025

COASTAL RESOURCES
MANAGEMENT COUNCIL



MATCHLINE SHEET 14

MATCHLINE SHEET 16

TOPO SURVEY: FOTH ON 8/1/2018 & 8/13/2020
 HYDRO SURVEY: FOTH ON 4/25/2024

DATUM: AHTL = +6.06' MLW = +0.18'
 MHW = +4.59' MLLW = 0.00'

FOTH INFRASTRUCTURE & ENVIRONMENT, LLC
 114 TOURO ST, NEWPORT, RI 02840

PROPOSED CONDITIONS 2 OF 4



SHELL OIL PROVIDENCE TERMINAL
 DOLPHIN ACCESS & TIMBER DEMOLITION

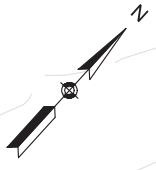
TRITON TERMINALING, LLC
 520 ALLENS AVENUE, PROVIDENCE RI
 MAP 55 LOT 16 & 17

3/25/2025



APPROX. 40-FOOT FEDERAL CHANNEL LIMIT

PROVIDENCE RIVER
(CRMC TYPE 6 WATERS)



EX. FENDER DOLPHIN

EX. 5'x180'± CATWALK

EX. 5'x30'± CATWALK

EX. 15'x20'± DOLPHIN (TYP)

-30-

-20-

-10-

-20-

-30-

-40-

EX. 36" Ø MARKER PILE (TYP)

STRUCTURAL PERIMETER LIMIT (TYP)

MATCHLINE
SHEET 15

TOPO SURVEY: FOTH ON 8/1/2018 & 8/13/2020
HYDRO SURVEY: FOTH ON 4/25/2024

DATUM: AHTL = +6.06' MLW = +0.18'
MHW = +4.59' MLLW = 0.00'

FOTH INFRASTRUCTURE & ENVIRONMENT, LLC
114 TOURO ST, NEWPORT, RI 02840

PROPOSED CONDITIONS 3 OF 4

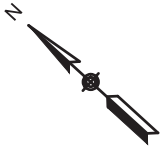


SHELL OIL PROVIDENCE TERMINAL
DOLPHIN ACCESS & TIMBER DEMOLITION

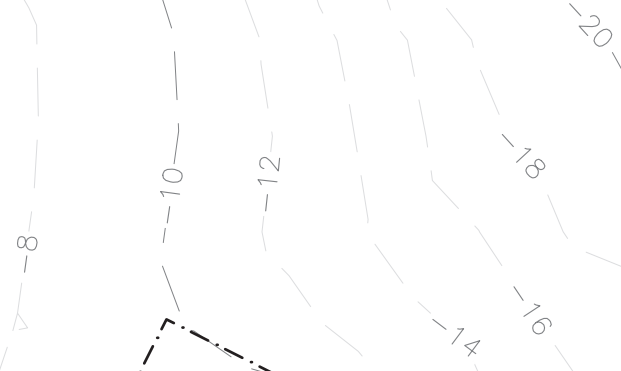
TRITON TERMINALING, LLC
520 ALLENS AVENUE, PROVIDENCE RI
MAP 55 LOTS 16 & 17

3/25/2025

RECEIVED
8/19/2025
 27
**COASTAL RESOURCES
 MANAGEMENT COUNCIL**



PROVIDENCE RIVER
(CRMC TYPE 6 WATERS)



EX. 8'x20'± TIMBER FLOAT (TYP)

EX. PILE GUIDE;
TO BE REPLACED
IN-KIND (TYP)

EX. FLOAT
CONNECTION PIN;
TO BE REPLACED
IN-KIND (TYP)

EX. 12"Ø TIMBER FLOAT PILE;
TO BE REPLACED IN-KIND (TYP)

EX. GANGWAY HEADER;
TO BE REPLACED IN-KIND

EX. 4'x25'± GANGWAY

STRUCTURAL
PERIMETER LIMIT (TYP)

PROP. 1" Ø HILTI HIT RE500 V3 +
HAS-R 316 SS W/ 9" EMBEDMENT
IN CONCRETE; 2 PER PILE (TYP)

EX. BOAT RAMP

EX. 12" Ø TIMBER
PIER PILE (TYP)

EX. 4'x25'±
TIMBER PIER

APPROX.
PROPERTY LINE

EX. CONC. PATH

FEMA ZONE VE
(EL. 16.47' MLLW)
FEMA ZONE AE
(EL. 14.47' MLLW)

MAP 55, LOT 16
TRITON TERMINALING, LLC
DEED 11708-302

APPROX. SHORELINE

MATCHLINE
SHEETS 14

TOPO SURVEY: FOTH ON 8/1/2018 & 8/13/2020
HYDRO SURVEY: FOTH ON 4/25/2024

DATUM: AHTL = +6.06' MLW = +0.18'
MHW = +4.59' MLLW = 0.00'

FOTH INFRASTRUCTURE & ENVIRONMENT, LLC
114 TOURO ST, NEWPORT, RI 02840

PROPOSED CONDITIONS 4 OF 4

0 20 40



SCALE IN FEET

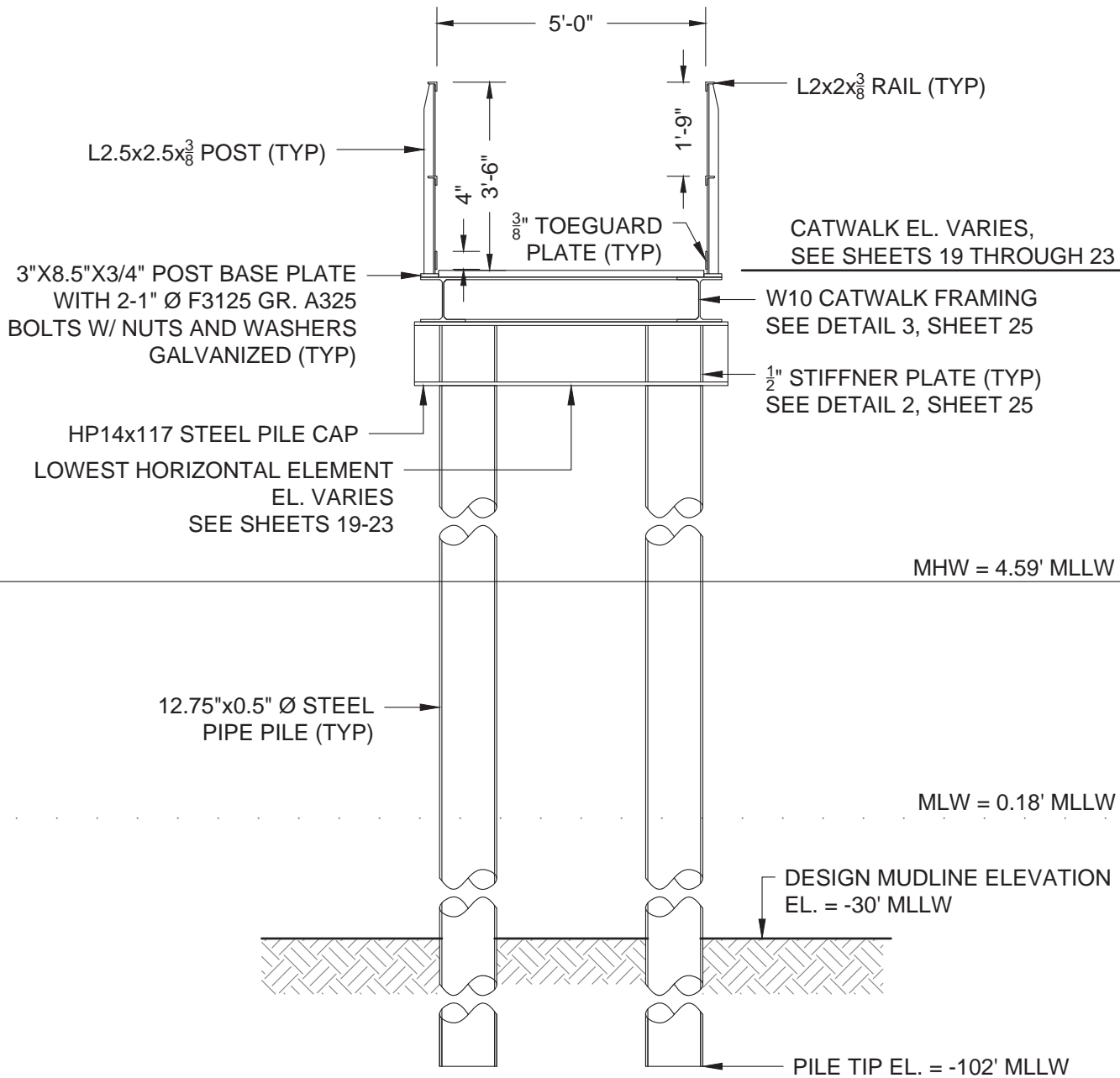
SHELL OIL PROVIDENCE TERMINAL
DOLPHIN ACCESS & TIMBER DEMOLITION

TRITON TERMINALING, LLC
520 ALLENS AVENUE, PROVIDENCE RI
MAP 55 LOTS 16 & 17

3/25/2025

RECEIVED
8/19/2025

COASTAL RESOURCES
MANAGEMENT COUNCIL



1
18 TYPICAL CATWALK ELEVATION
SCALE: 1" = 3'

TOPO SURVEY: FOTH ON 8/1/2018 & 8/13/2020
HYDRO SURVEY: FOTH ON 4/25/2024

DATUM: AHTL = +6.06' MLW = +0.18'
MHW = +4.59' MLLW = 0.00'

FOTH INFRASTRUCTURE & ENVIRONMENT, LLC
114 TOURO ST, NEWPORT, RI 02840

FRAMING PLANS & SECTIONS 1 OF 7



SHELL OIL PROVIDENCE TERMINAL
DOLPHIN ACCESS & TIMBER DEMOLITION

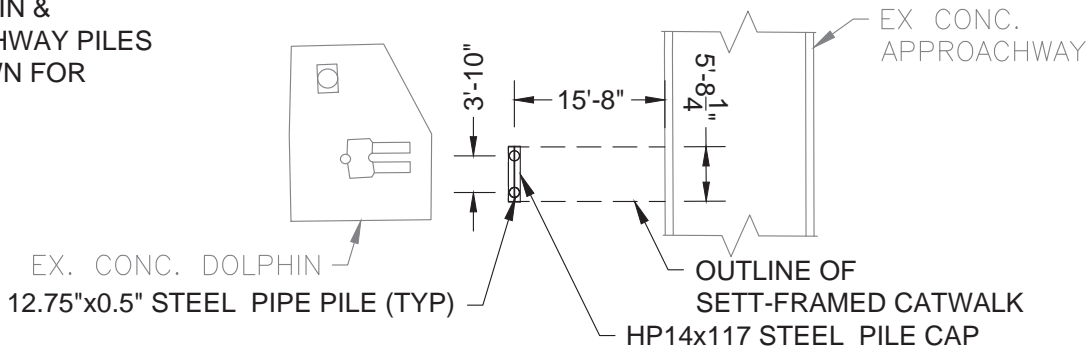
TRITON TERMINALING, LLC
520 ALLENS AVENUE, PROVIDENCE RI
MAP 55 LOTS 16 & 17

3/25/2025

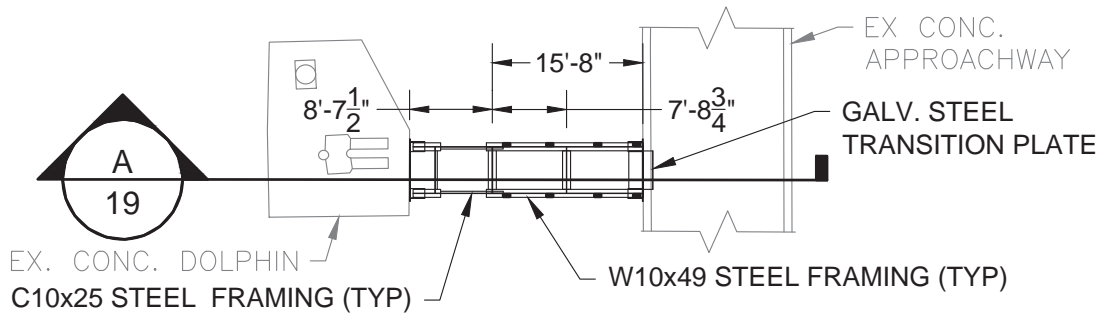
RECEIVED
8/19/2025

COASTAL RESOURCES
MANAGEMENT COUNCIL

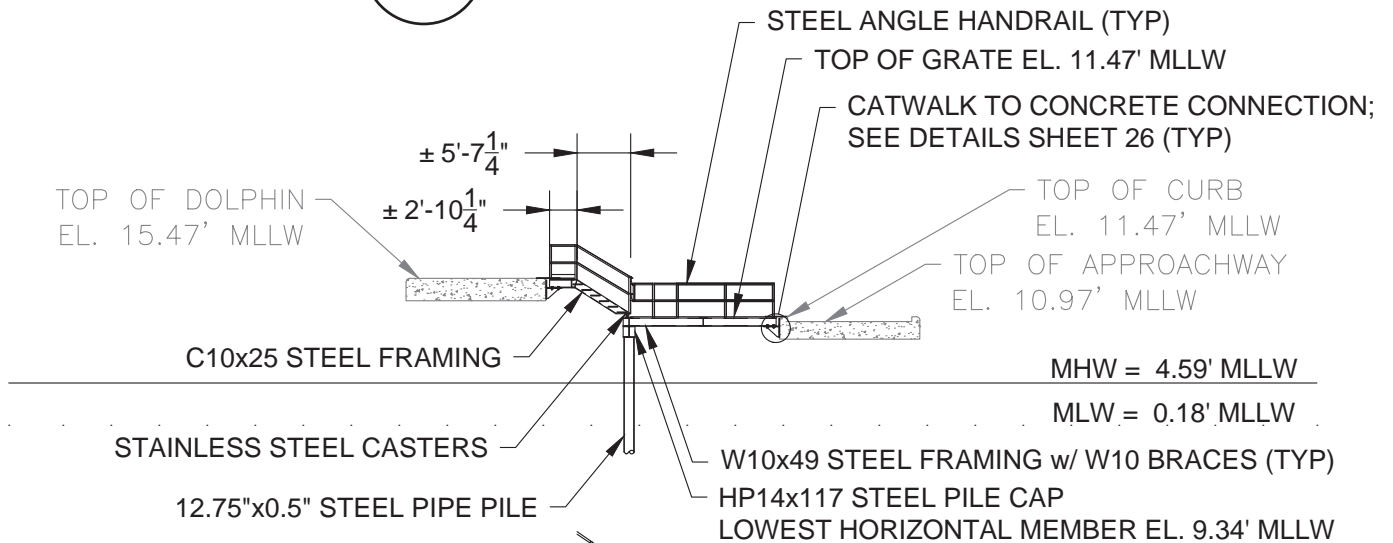
NOTE:
EX. DOLPHIN &
APPROACHWAY PILES
NOT SHOWN FOR
CLARITY.



1
19 CATWALK #1: PILE & PILE CAP LAYOUT PLAN
SCALE: 1" = 20'



2
19 CATWALK #1: FRAMING PLAN
SCALE: 1" = 20'



A
19 SECTION A - CATWALK #1
SCALE: 1" = 20'

TOPO SURVEY: FOTH ON 8/1/2018 & 8/13/2020
HYDRO SURVEY: FOTH ON 4/25/2024

DATUM: AHTL = +6.06' MLW = +0.18'
MHW = +4.59' MLLW = 0.00'

FOTH INFRASTRUCTURE & ENVIRONMENT, LLC
114 TOURO ST, NEWPORT, RI 02840

FRAMING PLANS &
SECTIONS 2 OF 7



SHELL OIL PROVIDENCE TERMINAL
DOLPHIN ACCESS & TIMBER DEMOLITION

TRITON TERMINALING, LLC
520 ALLENS AVENUE, PROVIDENCE RI
MAP 55 LOTS 16 & 17

3/25/2025

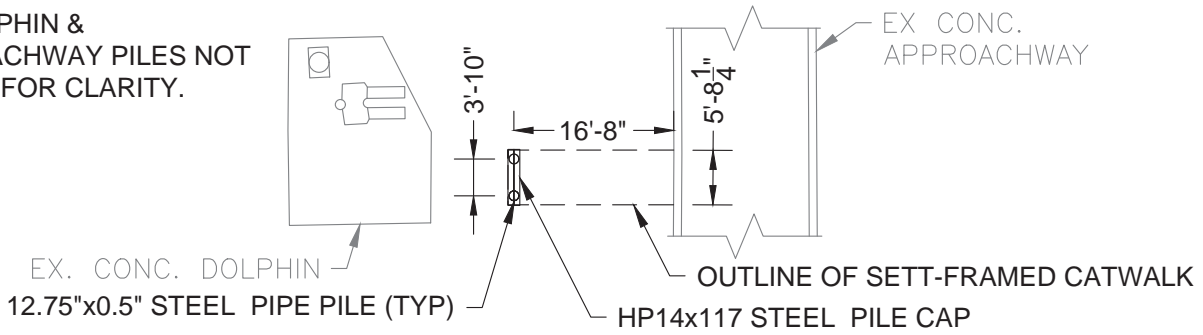
RECEIVED

8/19/2025

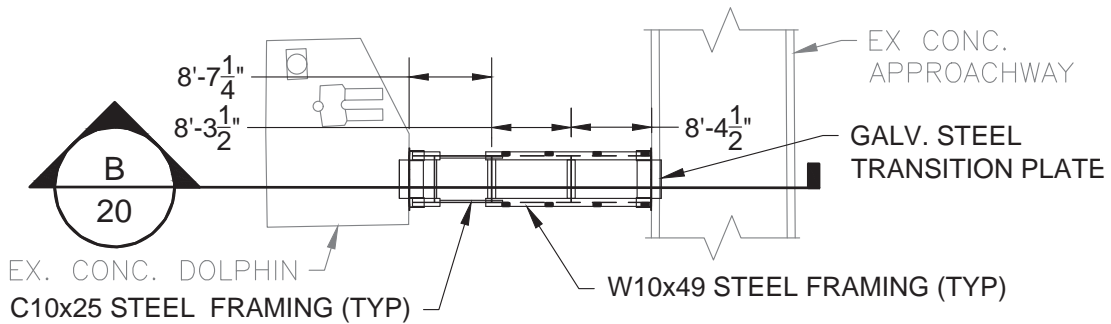
COASTAL RESOURCES
MANAGEMENT COUNCIL

NOTE:

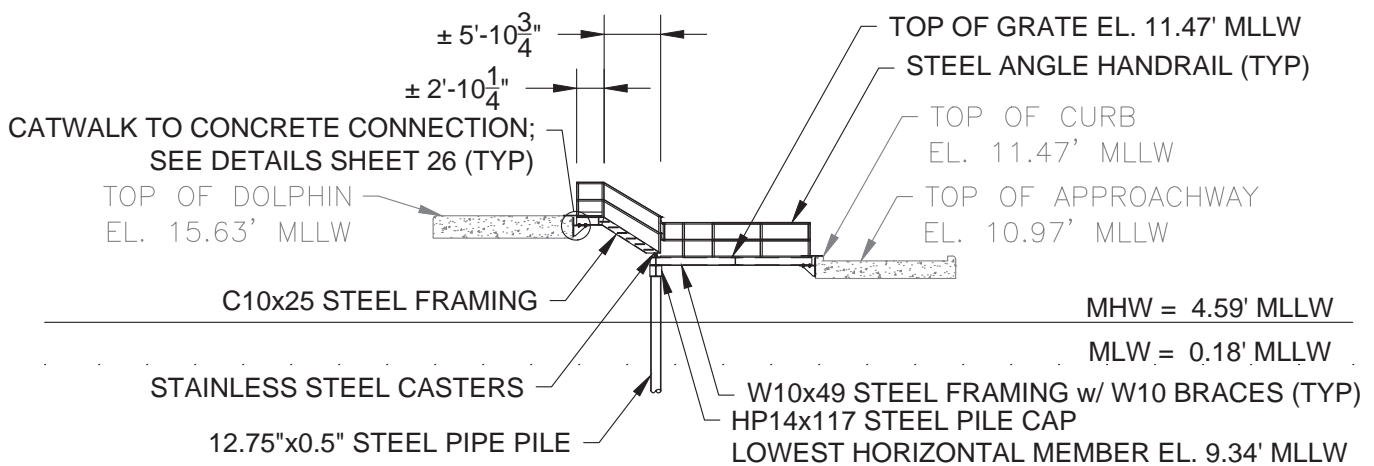
EX. DOLPHIN & APPROACHWAY PILES NOT SHOWN FOR CLARITY.



1 CATWALK #2: PILE & PILE CAP LAYOUT PLAN
20 SCALE: 1" = 20'



2 CATWALK #2: FRAMING PLAN
20 SCALE: 1" = 20'



B SECTION B - CATWALK #2
20 SCALE: 1" = 20'

TOPO SURVEY: FOTH ON 8/1/2018 & 8/13/2020
 HYDRO SURVEY: FOTH ON 4/25/2024

DATUM: AHTL = +6.06' MLW = +0.18'
 MHW = +4.59' MLLW = 0.00'

FOTH INFRASTRUCTURE & ENVIRONMENT, LLC
 114 TOURO ST, NEWPORT, RI 02840

FRAMING PLANS & SECTIONS 3 OF 7



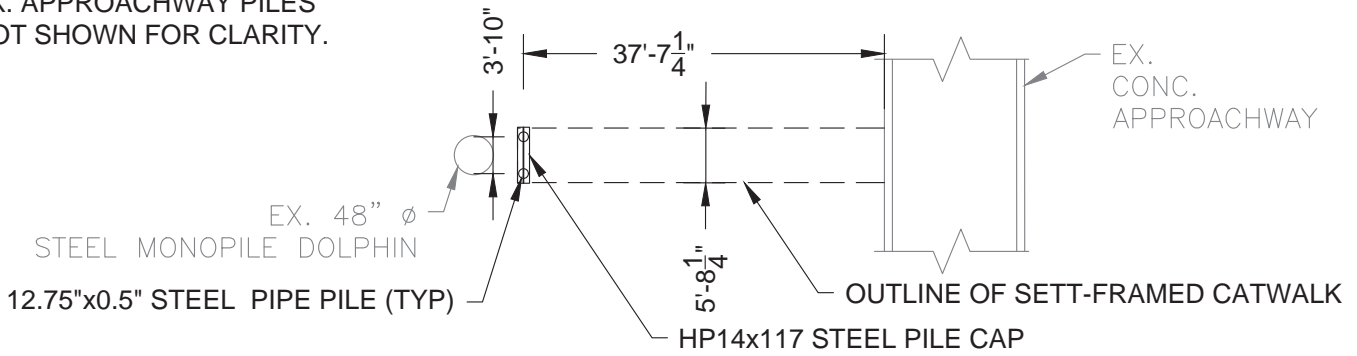
SHELL OIL PROVIDENCE TERMINAL
 DOLPHIN ACCESS & TIMBER DEMOLITION

TRITON TERMINALING, LLC
 520 ALLENS AVENUE, PROVIDENCE RI
 MAP 55 LOTS 16 & 17

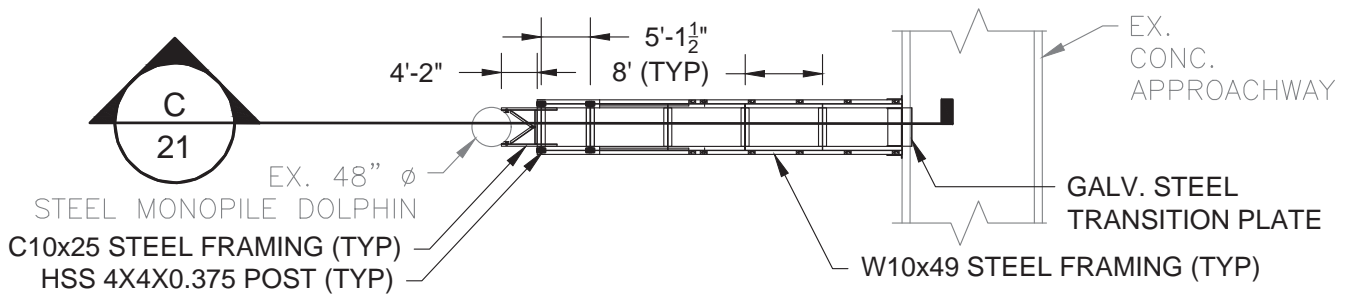
3/25/2025



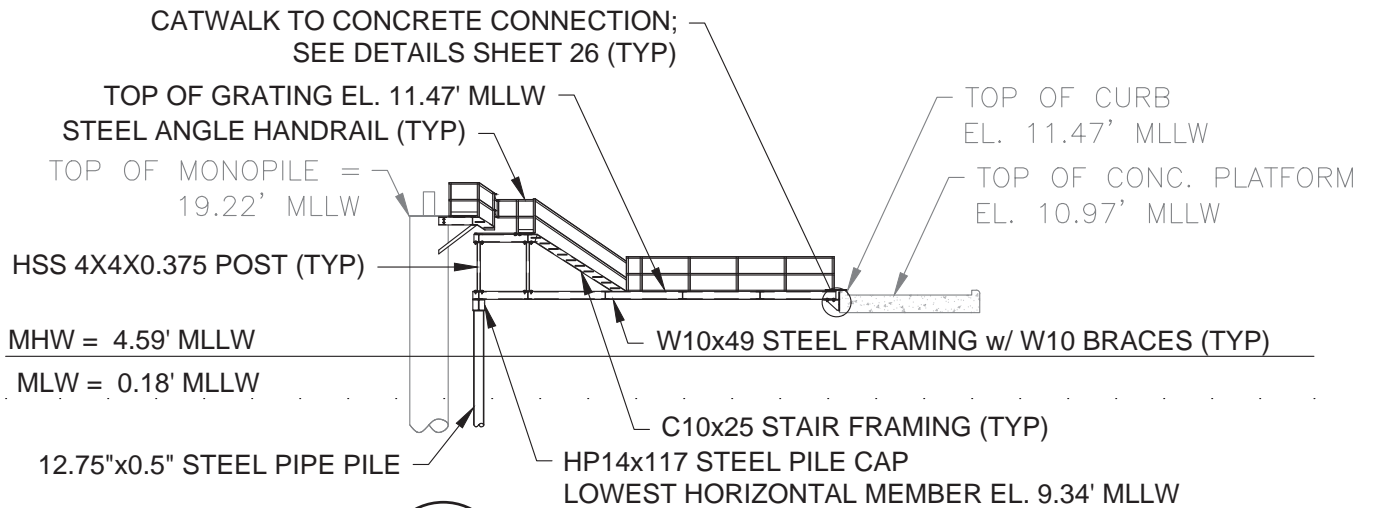
NOTE:
EX. APPROACHWAY PILES
NOT SHOWN FOR CLARITY.



1 CATWALK #3: PILE & PILE CAP LAYOUT PLAN
21 SCALE: 1" = 20'



2 CATWALK #3: FRAMING PLAN
21 SCALE: 1" = 20'



C SECTION C - CATWALK #3
21 SCALE: 1" = 20'

TOPO SURVEY: FOTH ON 8/1/2018 & 8/13/2020
HYDRO SURVEY: FOTH ON 4/25/2024

DATUM: AHTL = +6.06' MLW = +0.18'
MHW = +4.59' MLLW = 0.00'

FOTH INFRASTRUCTURE & ENVIRONMENT, LLC
114 TOURO ST, NEWPORT, RI 02840

FRAMING PLANS &
SECTIONS 4 OF 7

0 10 20



SCALE IN FEET

SHELL OIL PROVIDENCE TERMINAL
DOLPHIN ACCESS & TIMBER DEMOLITION

TRITON TERMINALING, LLC
520 ALLENS AVENUE, PROVIDENCE RI
MAP 55 LOTS 16 & 17

3/25/2025

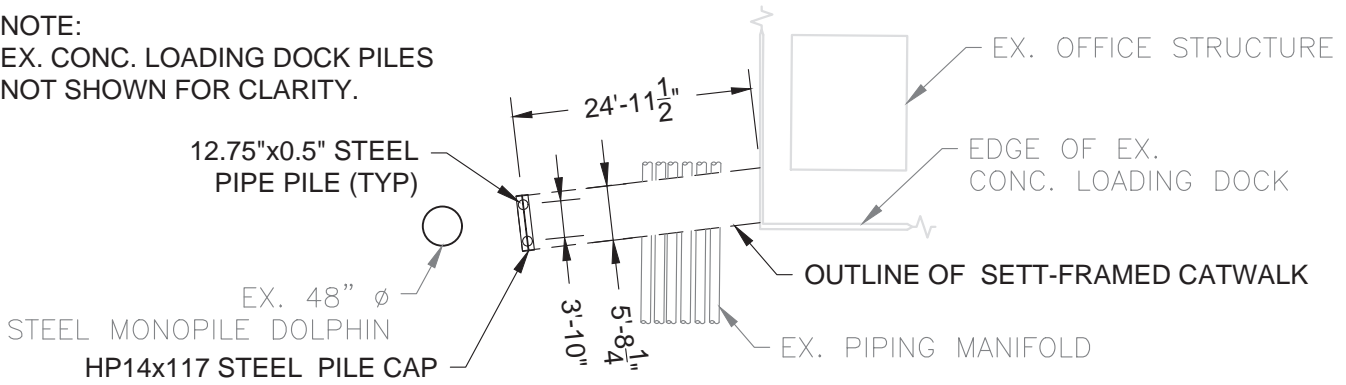
RECEIVED

8/19/2025

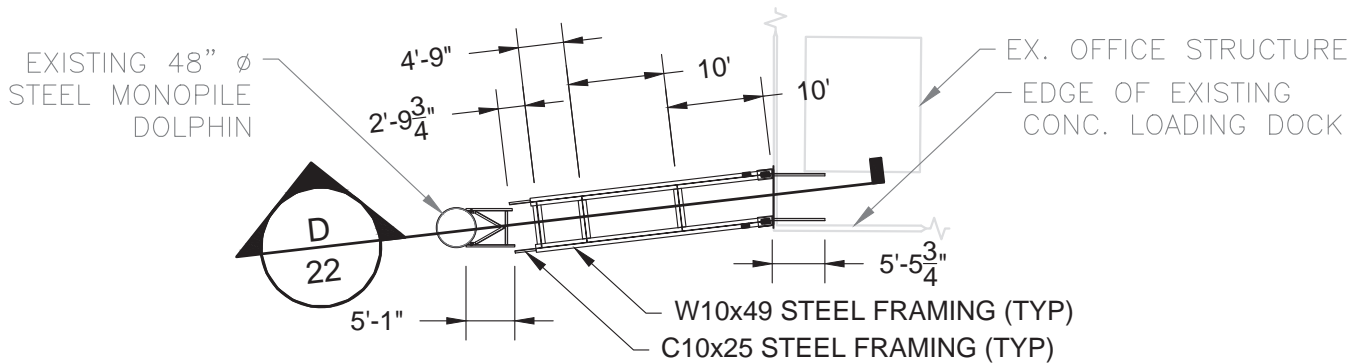
27

COASTAL RESOURCES
MANAGEMENT COUNCIL

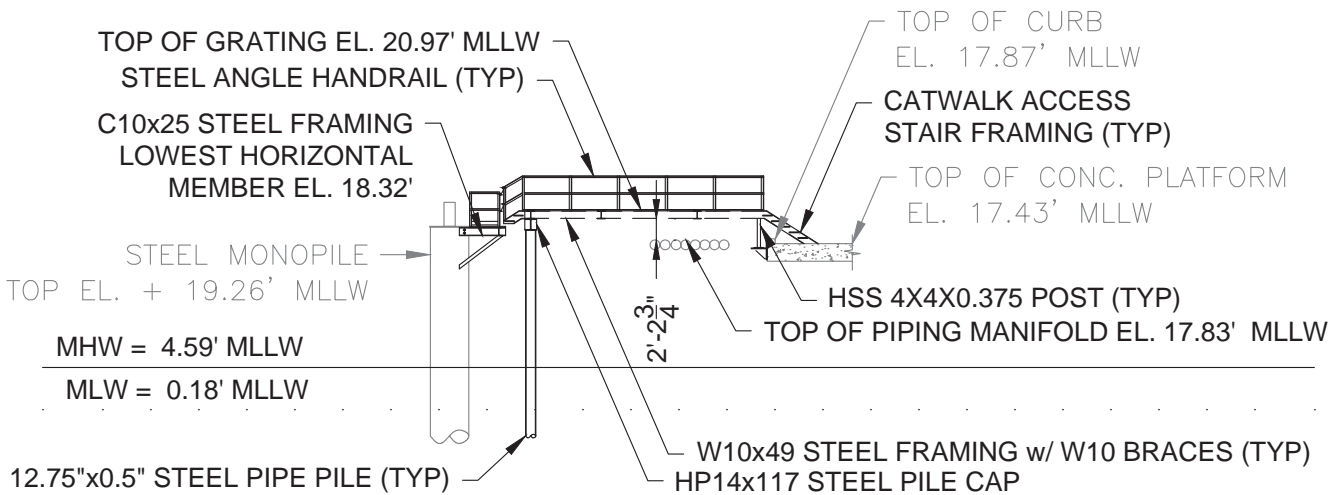
NOTE:
EX. CONC. LOADING DOCK PILES
NOT SHOWN FOR CLARITY.



1
22 CATWALK #4: PILE & PILE CAP LAYOUT PLAN
SCALE: 1" = 20'



2
22 CATWALK #4: FRAMING PLAN
SCALE: 1" = 20'



D
22 SECTION D - CATWALK #4
SCALE: 1" = 20'

TOPO SURVEY: FOTH ON 8/1/2018 & 8/13/2020
HYDRO SURVEY: FOTH ON 4/25/2024

DATUM: AHTL = +6.06' MLW = +0.18'
MHW = +4.59' MLLW = 0.00'

FOTH INFRASTRUCTURE & ENVIRONMENT, LLC
114 TOURO ST, NEWPORT, RI 02840

FRAMING PLANS &
SECTIONS 5 OF 7



SHELL OIL PROVIDENCE TERMINAL
DOLPHIN ACCESS & TIMBER DEMOLITION

TRITON TERMINALING, LLC
520 ALLENS AVENUE, PROVIDENCE RI
MAP 55 LOTS 16 & 17

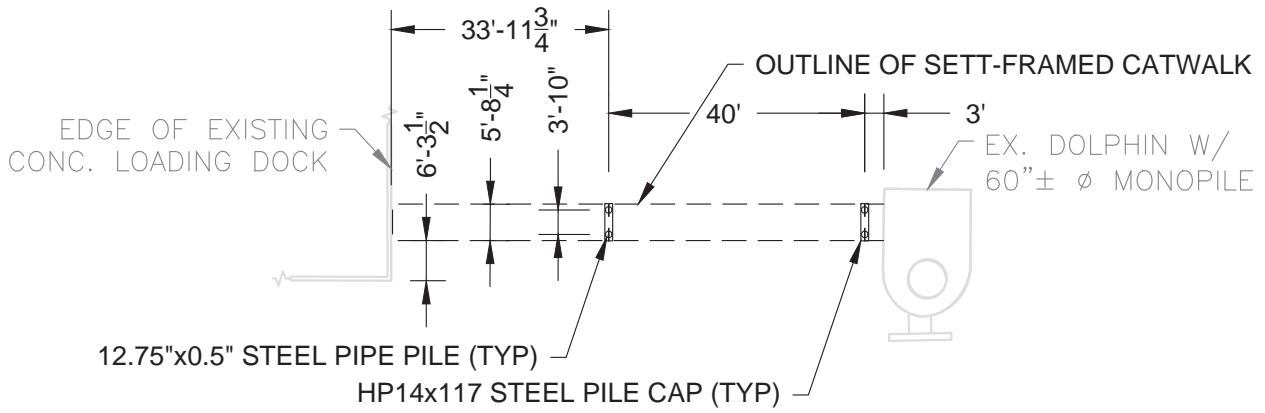
3/25/2025

RECEIVED

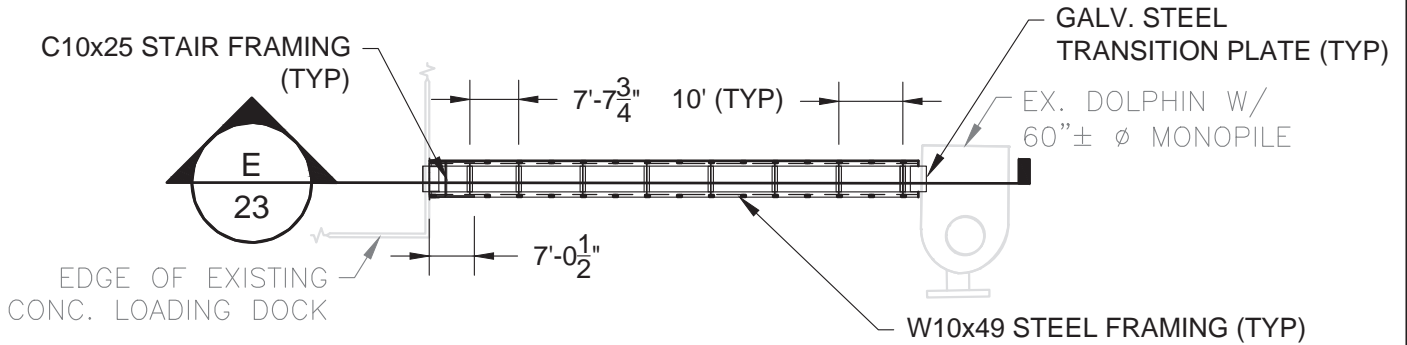
8/19/2025

27

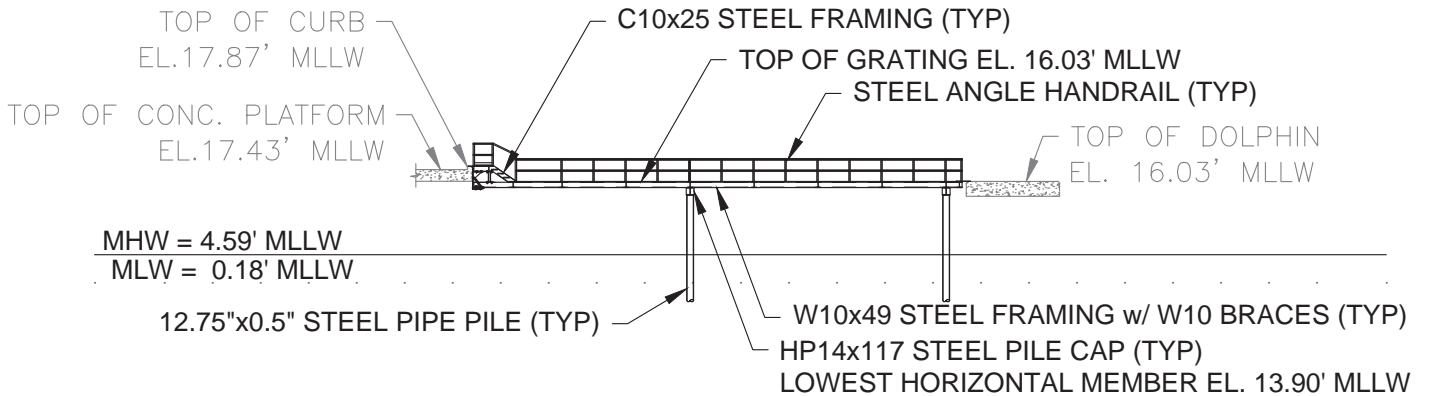
COASTAL RESOURCES
MANAGEMENT COUNCIL



1
23 **CATWALK #5: PILE & PILE CAP LAYOUT PLAN**
SCALE: 1" = 30'



2
23 **CATWALK #5: FRAMING PLAN**
SCALE: 1" = 30'



E
23 **SECTION E - CATWALK #5**
SCALE: 1" = 30'

NOTE:
EX. PLATFORM AND
DOLPHIN PILES NOT
SHOWN FOR CLARITY.

TOPO SURVEY: FOTH ON 8/1/2018 & 8/13/2020
HYDRO SURVEY: FOTH ON 4/25/2024

DATUM: AHTL = +6.06' MLW = +0.18'
MHW = +4.59' MLLW = 0.00'

FOTH INFRASTRUCTURE & ENVIRONMENT, LLC
114 TOURO ST, NEWPORT, RI 02840

**FRAMING PLANS &
SECTIONS 6 OF 7**

0 15 30



SCALE IN FEET

SHELL OIL PROVIDENCE TERMINAL
DOLPHIN ACCESS & TIMBER DEMOLITION

TRITON TERMINALING, LLC
520 ALLENS AVENUE, PROVIDENCE RI
MAP 55 LOTS 16 & 17

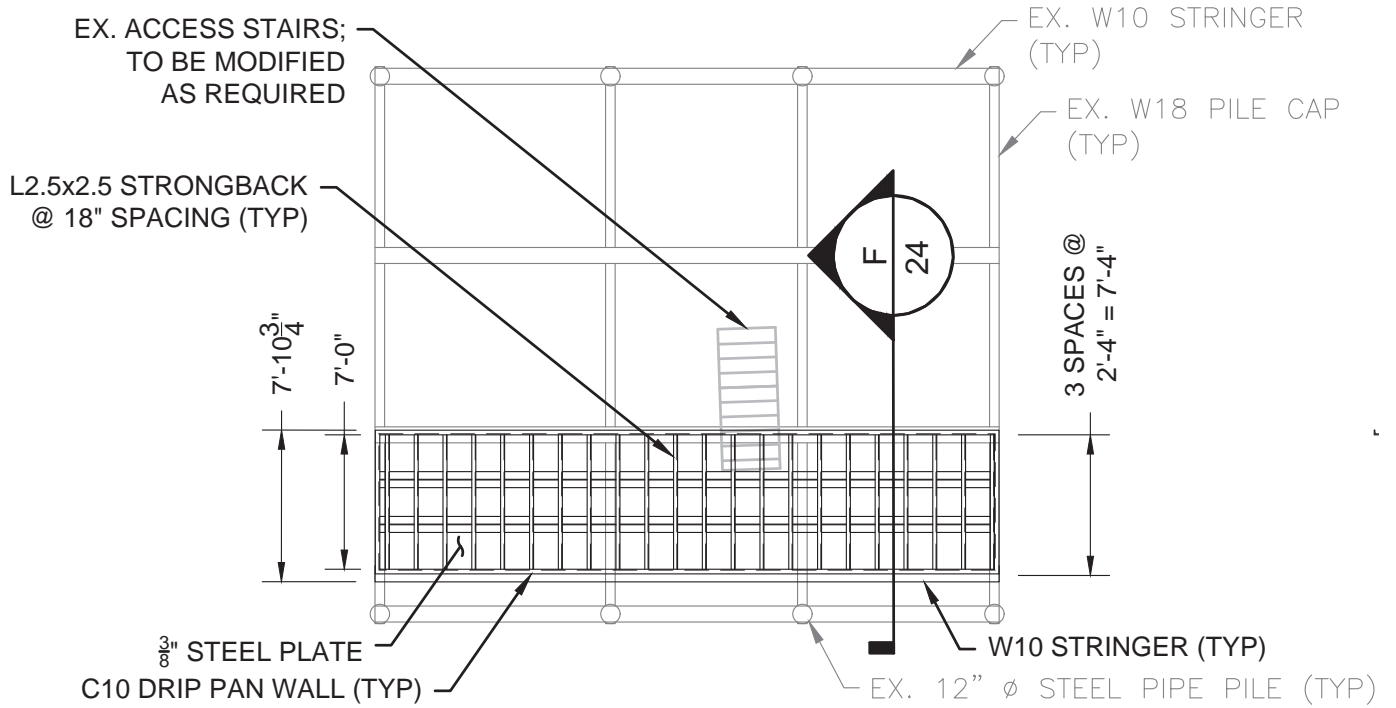
3/25/2025

RECEIVED

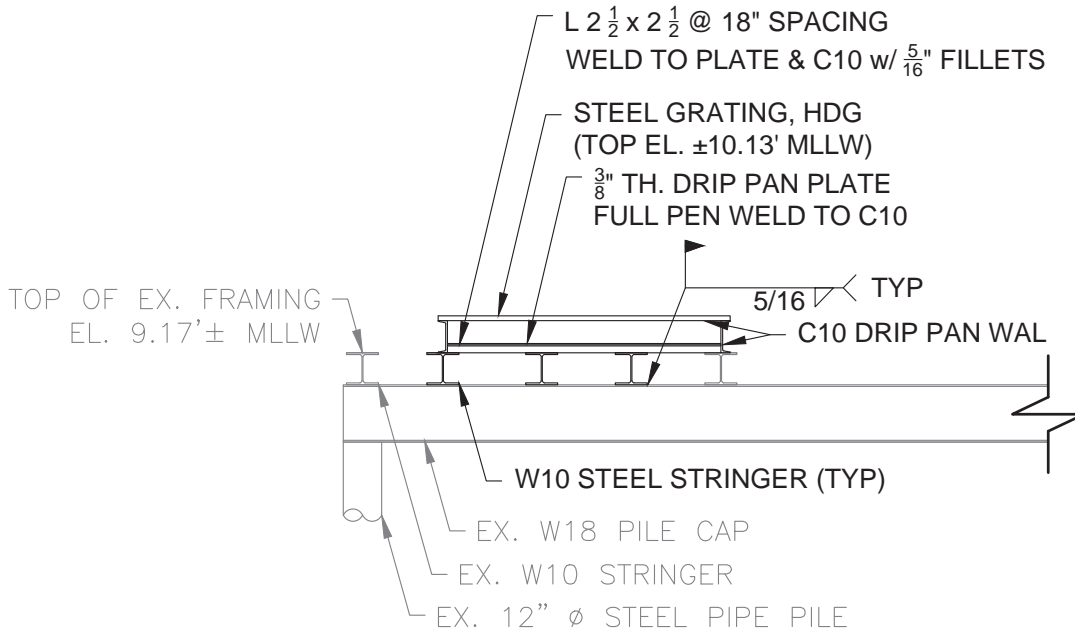
8/19/2025

27

**COASTAL RESOURCES
MANAGEMENT COUNCIL**



1 DRIP PAN FRAMING PLAN
24 SCALE: 1" = 10'



F SECTION G - DRIP PAN FRAMING
24 SCALE: 1" = 5'

TOPO SURVEY: FOTH ON 8/1/2018 & 8/13/2020
 HYDRO SURVEY: FOTH ON 4/25/2024

DATUM: AHTL = +6.06' MLW = +0.18'
 MHW = +4.59' MLLW = 0.00'

FOTH INFRASTRUCTURE & ENVIRONMENT, LLC
 114 TOURO ST, NEWPORT, RI 02840

FRAMING PLANS & SECTIONS 7 OF 7

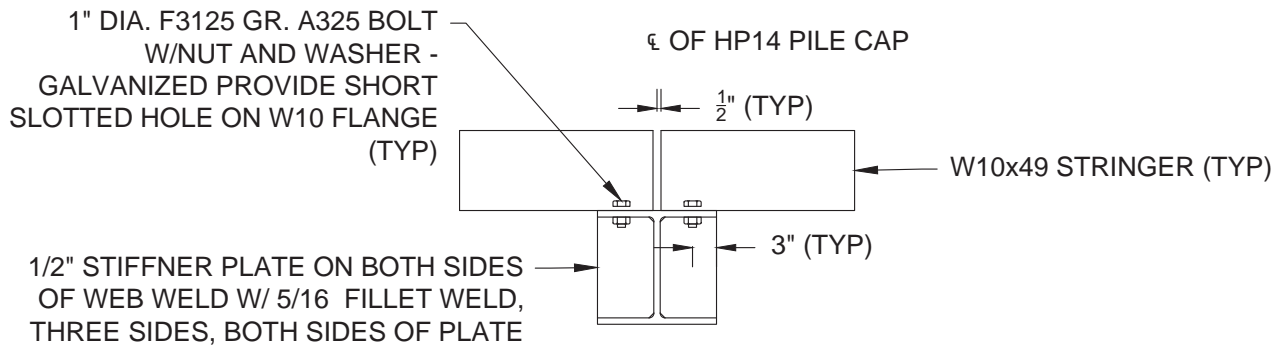


SHELL OIL PROVIDENCE TERMINAL
 DOLPHIN ACCESS & TIMBER DEMOLITION

TRITON TERMINALING, LLC
 520 ALLENS AVENUE, PROVIDENCE RI
 MAP 55 LOTS 16 & 17

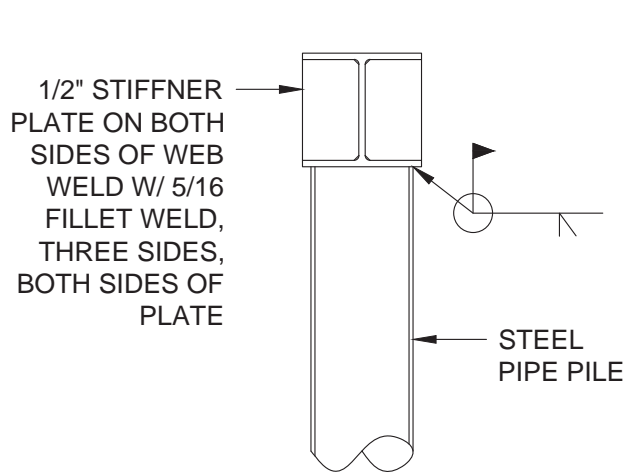
3/25/2025





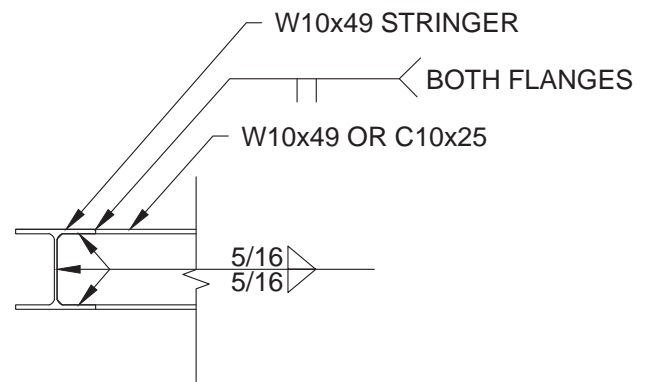
1
25

STRINGER - PILE CAP CONNECTION
SCALE: 1" = 2'



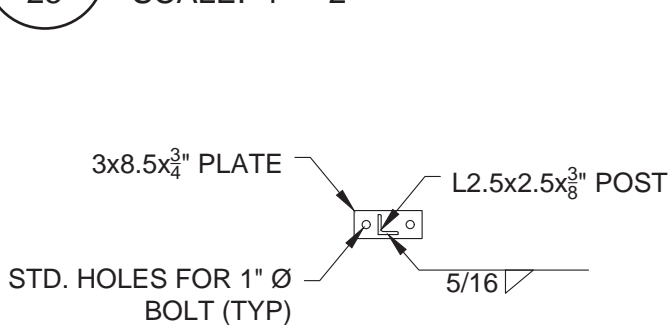
2
25

PILE - PILE CAP CONNECTION
SCALE: 1" = 2'



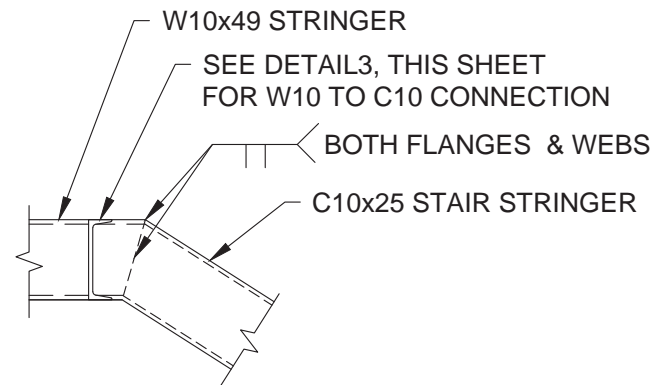
3
25

STRINGER - BRACE CONNECTION
SCALE: 1" = 2'



4
25

**HANDRAIL POST BASE
PLATE CONNECTION**
SCALE: 1" = 2'



5
25

STRINGER - BRACE CONNECTION
SCALE: 1" = 2'

TOPO SURVEY: FOTH ON 8/1/2018 & 8/13/2020
HYDRO SURVEY: FOTH ON 4/25/2024

DATUM: AHTL = +6.06' MLW = +0.18'
MHW = +4.59' MLLW = 0.00'

FOTH INFRASTRUCTURE & ENVIRONMENT, LLC
114 TOURO ST, NEWPORT, RI 02840

DETAILS 1 OF 3

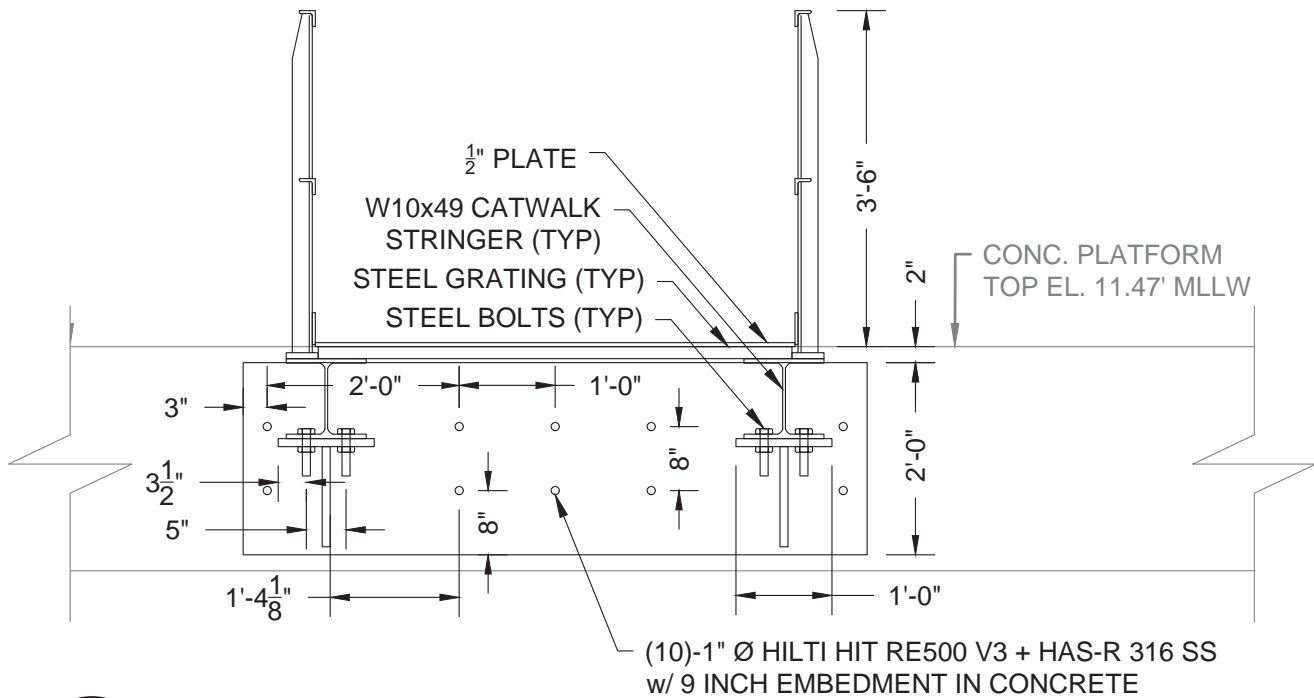


SHELL OIL PROVIDENCE TERMINAL
DOLPHIN ACCESS & TIMBER DEMOLITION

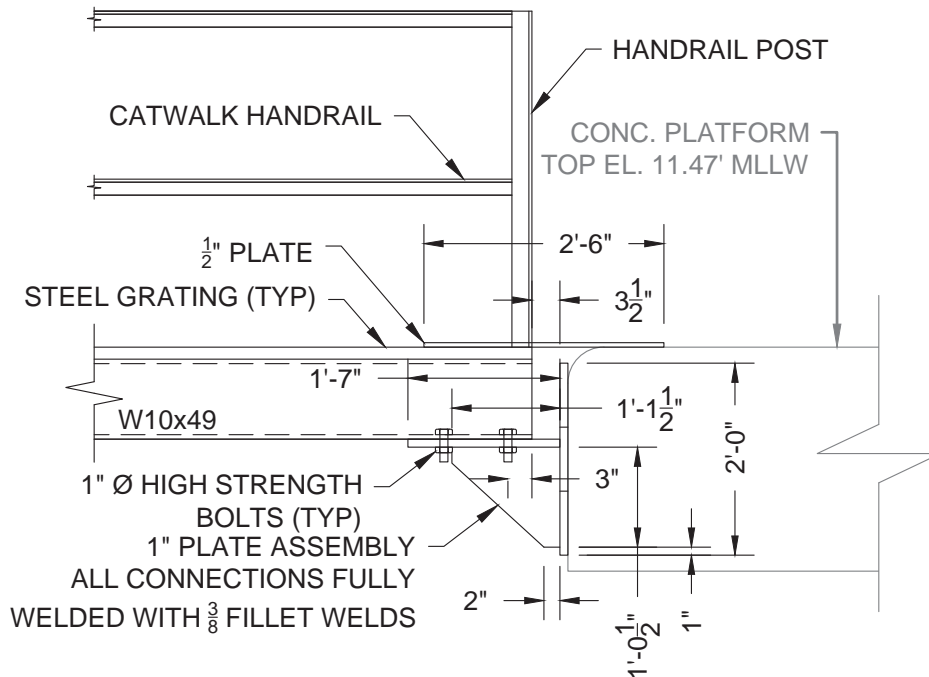
TRITON TERMINALING, LLC
520 ALLENS AVENUE, PROVIDENCE RI
MAP 55 LOTS 16 & 17

3/25/2025





1
26 STRINGER TO DOLPHIN PLATFORM CONNECTION - FRONT ELEVATION
SCALE: 1" = 2'



2
26 STRINGER TO DOLPHIN PLATFORM CONNECTION - SIDE ELEVATION
SCALE: 1" = 2'

TOPO SURVEY: FOTH ON 8/1/2018 & 8/13/2020
HYDRO SURVEY: FOTH ON 4/25/2024

DATUM: AHTL = +6.06' MLW = +0.18'
MHW = +4.59' MLLW = 0.00'

FOTH INFRASTRUCTURE & ENVIRONMENT, LLC
114 TOURO ST, NEWPORT, RI 02840

DETAILS 2 OF 3

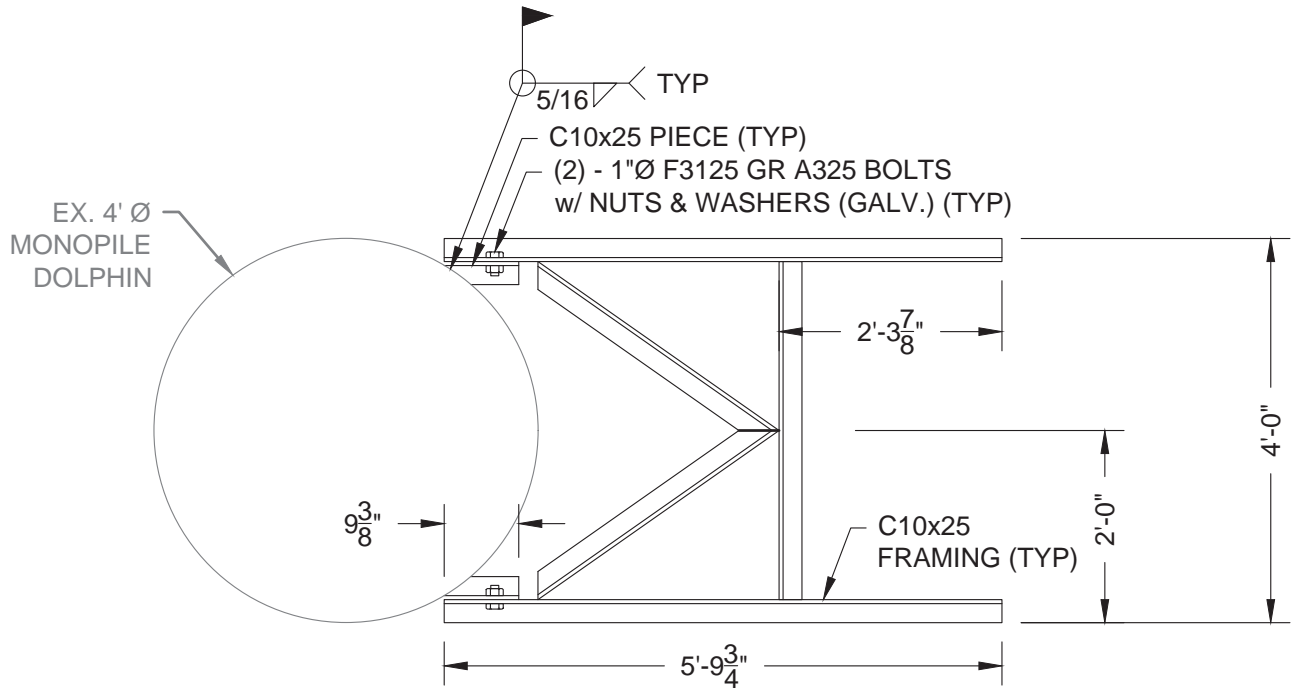


SHELL OIL PROVIDENCE TERMINAL
DOLPHIN ACCESS & TIMBER DEMOLITION

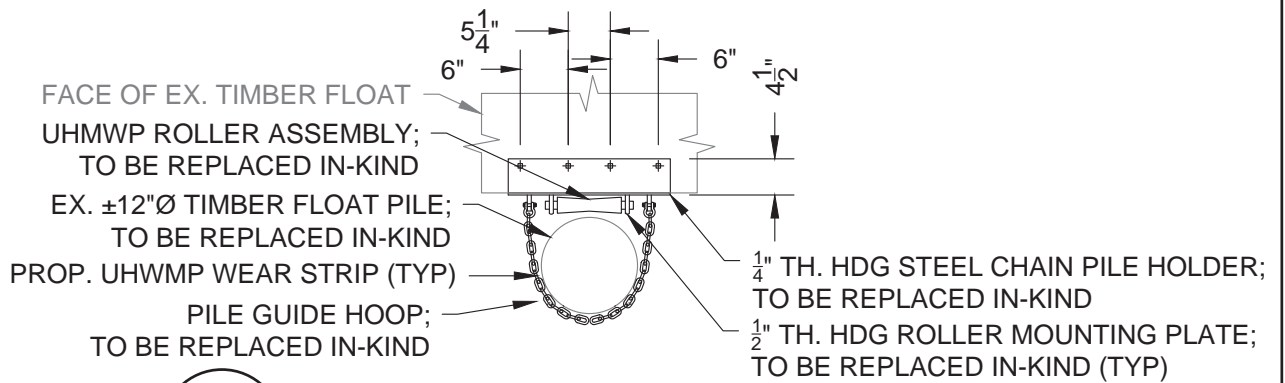
TRITON TERMINALING, LLC
520 ALLENS AVENUE, PROVIDENCE RI
MAP 55 LOTS 16 & 17

3/25/2025

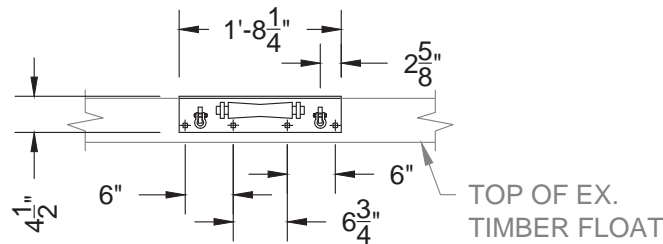




1 TYPICAL MONOPILE CONNECTION FRAMING PLAN
27 SCALE: 1" = 2'



2 PILE GUIDE REPAIR DETAIL - PLAN VIEW
27 SCALE: 1" = 2'



3 PILE GUIDE REPAIR DETAIL - ELEVATION VIEW
27 SCALE: 1" = 2'

TOPO SURVEY: FOTH ON 8/1/2018 & 8/13/2020
 HYDRO SURVEY: FOTH ON 4/25/2024

DATUM: AHTL = +6.06' MLW = +0.18'
 MHW = +4.59' MLLW = 0.00'

FOTH INFRASTRUCTURE & ENVIRONMENT, LLC
 114 TOURO ST, NEWPORT, RI 02840

DETAILS 3 OF 3



SHELL OIL PROVIDENCE TERMINAL
 DOLPHIN ACCESS & TIMBER DEMOLITION

TRITON TERMINALING, LLC
 520 ALLENS AVENUE, PROVIDENCE RI
 MAP 55 LOTS 16 & 17

3/25/2025

